

# YASKAWA

# MOTOMAN MA2010

## Shielded arc welding with the MA-series

With its long arm, the 6-axis MOTOMAN MA2010 high-speed robot offers the greatest reach in its class (max. 2010 mm) and a high payload capacity of 10 kg. Despite the use of a heavy welding torch, it can thus move a long way into fixtures or work pieces.



The MOTOMAN MA2010 has been specially developed for welding thin work pieces using the front pull system or water-cooled welding torches.

With the extended hollow structure (diameter 50 mm) of the upper arm, this robot enables internal routing of the welding hose package, thereby increasing its service life and reducing interference contours.

With its streamlined design, the MOTOMAN MA2010 has a minimal footprint, enabling multiple manipulators to be lined up close together.

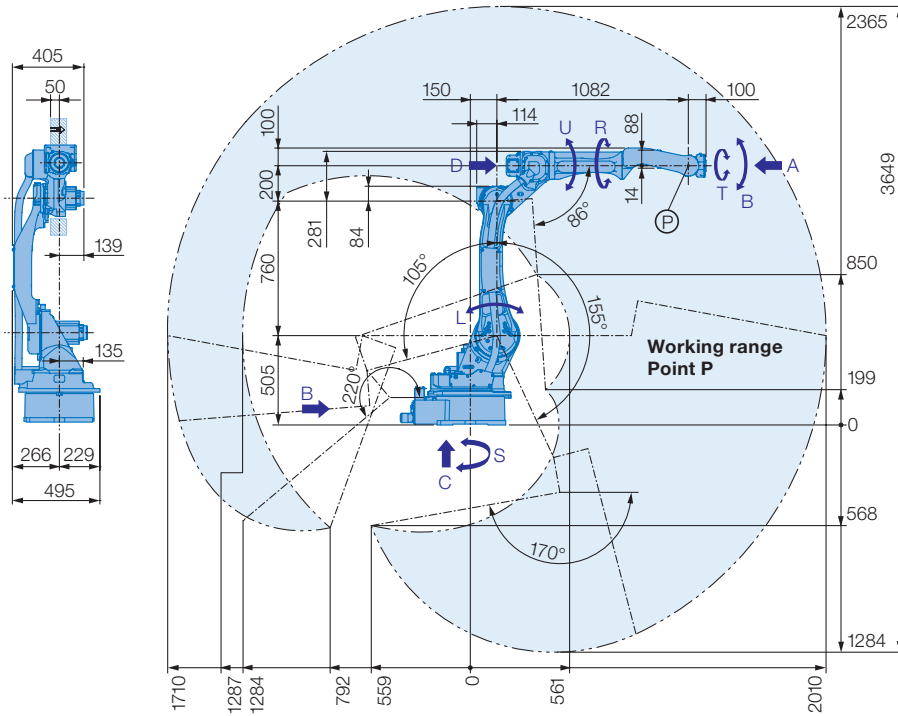
Furthermore, its fast motion sequences and high repeatability ensure high work piece output.

### KEY BENEFITS

- Greatest reach in its class: 2010 mm
- High payload capacity: 10 kg
  - Enables the mounting of heavy water-cooled torches or front pull system
  - Specially developed for welding thin workpieces
- Hollow front arm:
  - Diameter 50 mm
  - Minimized interference contours
- Streamlined design
- High productivity

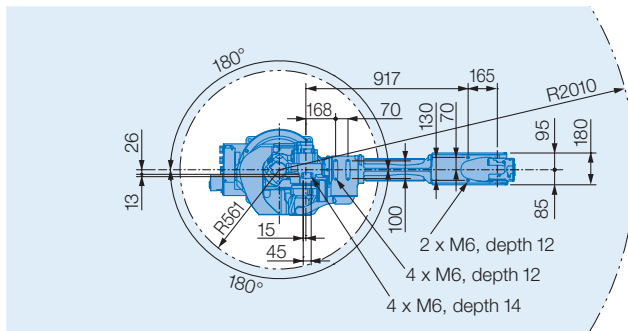
Controlled by  
**DX200**

# MOTOMAN MA2010

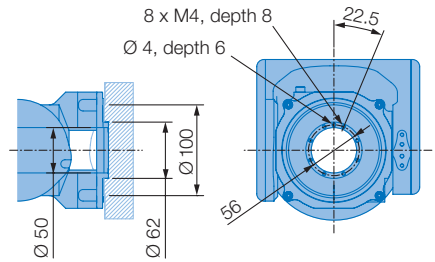


**Please note wall mounting option:**  
 +/- 30°  
 S-axis limit

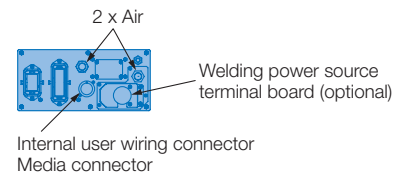
**Please note ceiling mounting option:**  
 Depends on B-axis position



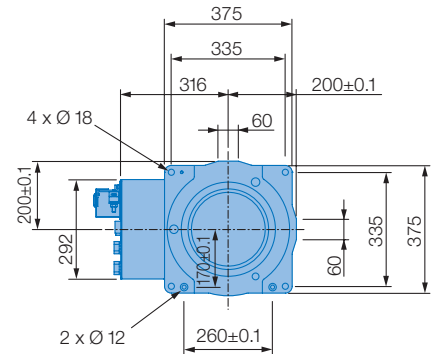
## View A



## View B

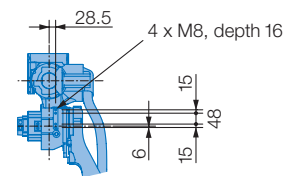


## View C



Mounting options: Floor, ceiling, wall  
 Protection class: IP54/67

## View D



All dimensions in mm | Technical data may be subject to change without previous notice | Please request detailed drawings at [robotics@yaskawa.eu](mailto:robotics@yaskawa.eu) - YR-MA2010-A00, YR-MA2010-A10, E-04-2016, A-No. 166334



### Specifications MA2010 (Type floor, wall: YR-MA2010-A00, type ceiling: YR-MA2010-A10)

Axes	Maximum motion range [°]	Maximum speed [°/sec.]	Allowable moment [Nm]	Allowable moment of inertia [kg · m <sup>2</sup> ]	Controlled axes	
					Max. payload [kg]	
S	±180	197	-	-	6	
L	+155/-105	190	-	-	10	
U	+220/-170	210	-	-	±0.08	Repeat. pos. accuracy [mm]
R	±150	410	22	0.65	2010	Max. working range R [mm]
B	A00: +90/-135 A10: +135/-90	410	22	0.65	0 to +45	Temperature [°C]
T	±210	610	9.8	0.17	20 - 80	Humidity [%]
					280	Weight [kg]
					2.0	Power supply, average [KVA]

**YASKAWA**

robotics@yaskawa.eu.com  
 www.yaskawa.eu.com

### YASKAWA Headquarters

YASKAWA Europe GmbH · Robotics Division  
 Yaskawastraße 1 · D-85391 Allershausen  
 Tel. +49 (0) 8166/90-0 · Fax +49 (0) 8166/90-103

### YASKAWA ACADEMY and sales office Frankfurt

YASKAWA Europe GmbH · Robotics Division  
 Hauptstraße 185 · D-65760 Eschborn  
 Tel. +49 (0) 6196/77725-0 · Fax +49 (0) 6196/77725-39