

# YASKAWA

# MOTOMAN MYS-SERIES

## Picking, Packing & Handling with the MYS-series

The robust Scara-robots of the MOTOMAN MYS-series feature a wide motion range due to its compact design. They are particularly suitable for application when high speed and accuracy is required, for example picking and packing, dispensing and feeding. Small

interference contours allow the robots working together in confined spaces. Internal cabling enables a reliable workflow and saves extensive maintenance. These robots are driven by the high-performance MOTOMAN FS100 controller.

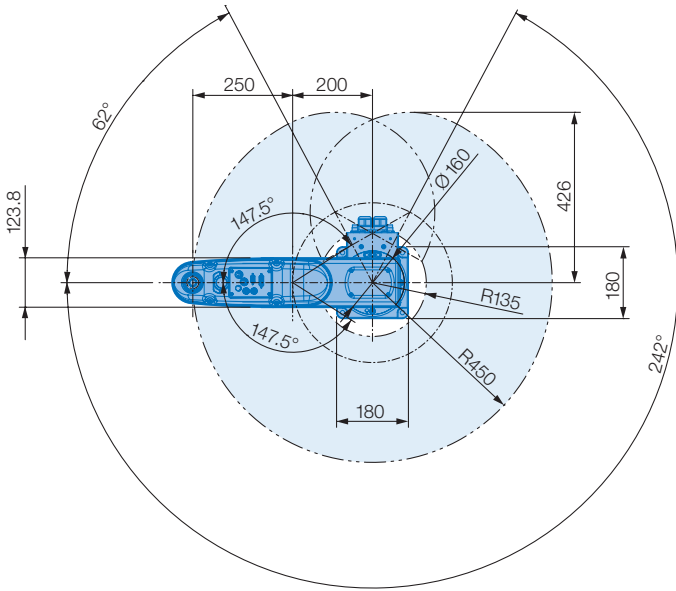


### KEY BENEFITS

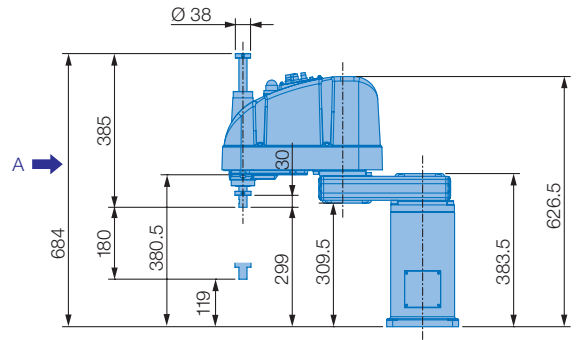
- Fast, powerful and reliable
- Wide motion range
- Compact and robust design
- Internal cabling
- High repeatability and accuracy
- Ideal for applications in confined spaces
- Easy integration and high dynamics
- Easy maintenance

Controlled by  
**FS100**

**MOTOMAN-MYS450F**

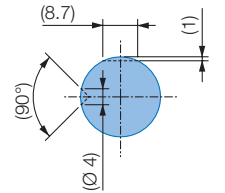
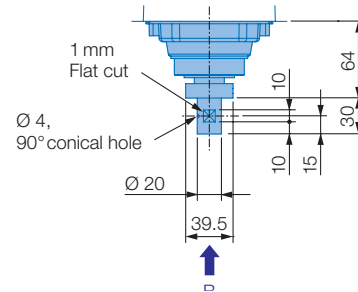


Protection class: IP20

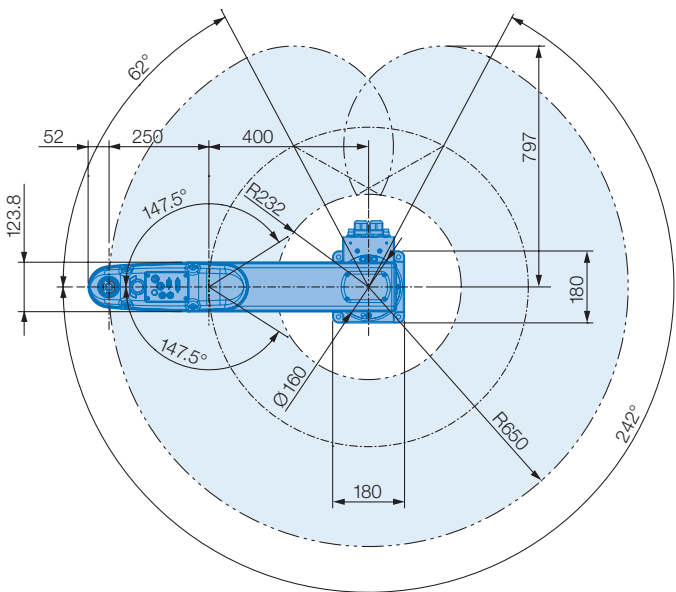


**View A**

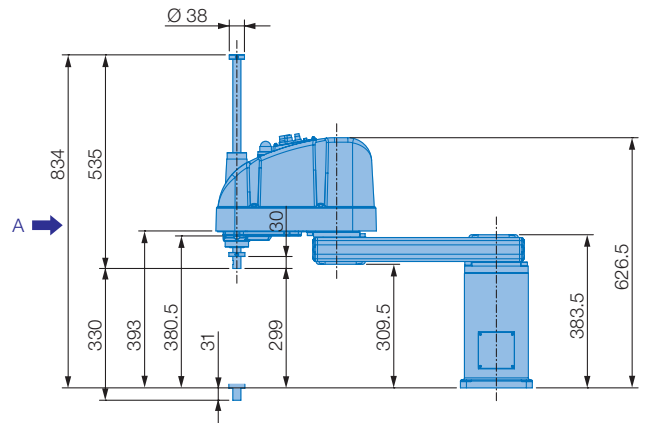
**View B**



**MOTOMAN-MYS650LF**

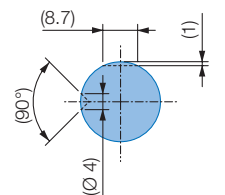
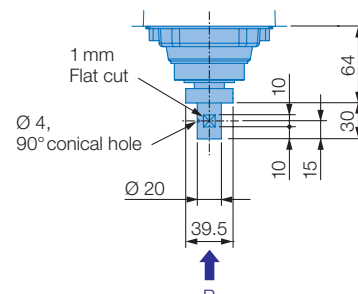


Protection class: IP20



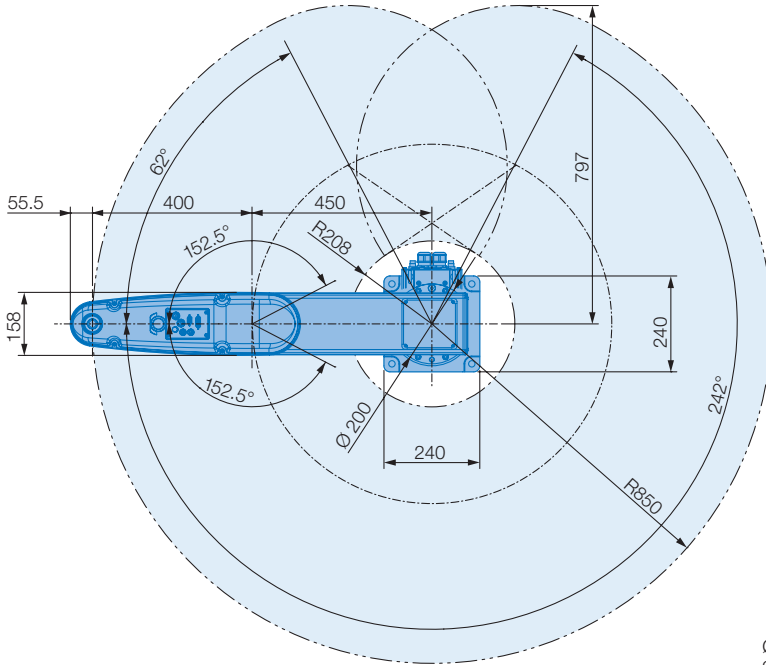
**View A**

**View B**

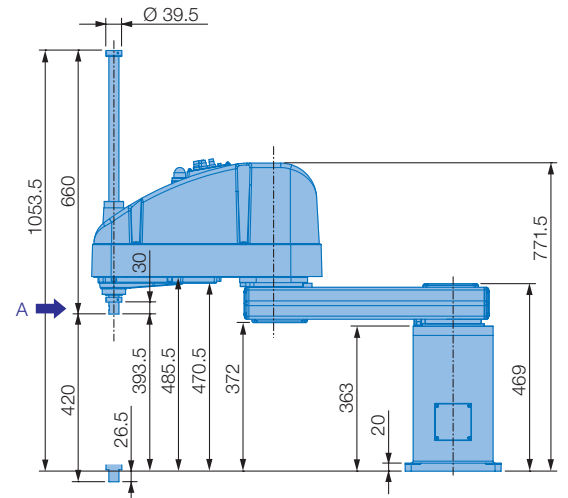


# MOTOMAN MYS-SERIES

## MOTOMAN-MYS850LF

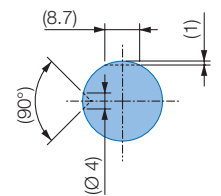
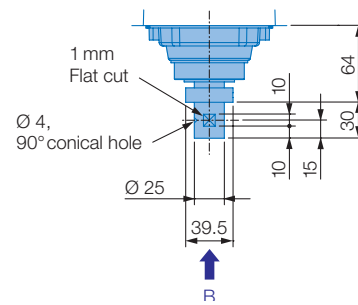


Protection class: IP20



View A

View B



All dimensions in mm | Technical data may be subject to change without previous notice | Please request detailed drawings at [robotics@yaskawa.eu](mailto:robotics@yaskawa.eu) – YR-MYS0450-A00, YR-MYS650L-A00, YR-MYS850L-A00, I-04-2016, A-No. 150784

		Specifications MYS-Serie		
		MYS450F	MYS650LF	MYS850LF
Robotertyp				
Controlled axes		4	4	4
Max. payload [kg]		6	6	10
Repeat. pos. accuracy [mm]	1. + 2. axis Z-axis U-axis	± 0.015 ± 0.010 ± 0.005	± 0.015 ± 0.010 ± 0.005	± 0.025 ± 0.010 ± 0.005
Operating distance [mm]	1. + 2. axis Z-axis	450 180	650 330	850 420
Allowable moment of inertia [kg · m <sup>2</sup> ]	U-axis [nom.] U-axis [max.]	0.01 0.12	0.01 0.12	0.02 0.25
Weight [kg]		27	27	48

# YASKAWA

## YASKAWA Headquarters

YASKAWA Europe GmbH  
Robotics Division  
Yaskawastraße 1  
D-85391 Allershausen  
Tel. +49 (0) 8166/90-0  
Fax +49 (0) 8166/90-103

## YASKAWA ACADEMY and sales office Frankfurt

YASKAWA Europe GmbH  
Robotics Division  
Hauptstraße 185  
D-65760 Eschborn  
Tel. +49 (0) 6196/77725-0  
Fax +49 (0) 6196/77725-39

## YASKAWA GROUP

- A YASKAWA Austria  
Schwechat/Wien  
+43(0)1-707-9324-15
- CZ YASKAWA Czech s.r.o.  
Rudná u Prahy  
+420-257-941-718
- E YASKAWA Ibérica, S.L.  
Gavà/Barcelona  
+34-93-6303478
- F YASKAWA France SARL  
Saint-Aignan-de-Grand-Lieu  
+33-2-40131919
- FIN YASKAWA Finland Oy  
Turku +358-(0)-403000600
- GB YASKAWA UK Ltd.  
Banbury +44-1295-272755
- I YASKAWA Italia s.r.l.  
Torino +39-011-9005833
- IL YASKAWA Europe Technology Ltd.  
Rosh Ha'ayin +972-3-9004114
- NL YASKAWA Benelux B.V.  
Son +31-40-2895500
- PL YASKAWA Polska Sp. z o.o.  
Wroclaw +48-71-7928670
- RUS YASKAWA Nordic AB  
Moskva +46-480-417-800
- SE YASKAWA Nordic AB  
Torsås +46-480-417-800
- SI YASKAWA Slovenia  
Ribnica +386-1-8372-410
- TR YASKAWA Turkey Elektrik  
Ticaret Ltd. Sti.  
İstanbul +90-216-5273450
- ZA YASKAWA Southern Africa (PTY) Ltd  
Johannesburg +27-11-6083182

## DISTRIBUTORS

- BG Kammarton Bulgaria Ltd.  
Sofia +359-02-926-6060
- CH Messer Eutectic Castolin  
Switzerland S.A.  
Dällikon +41-44-847-17-17
- DK Robotcenter Danmark  
Løsning +45 7022 2477
- EE RKR Seadmed OÜ  
Tallinn/Estonia +372-68-35-235
- GR Gizelis Robotics  
Nea Kifissia +30-2106251455
- H Flexman Robotics Kft  
Budapest +36-30-9510065
- LT Profibus UAB  
Panevezys +370-45-518575
- N Skala Robotech AS  
Lierstranda +47-32240600
- PT ROBOPLAN Lda  
Aveiro +351-234 943 900
- RO Sam Robotics srl  
Timisoara +40-720-279-866
- RO MPL Automation S.R.L.  
Satu Mare +40 (0) 261 750 741

