

# YASKAWA

# MOTOMAN MPP3H

## Handling, Picking & Packing with the MPP3H

The MOTOMAN MPP3H 4-axis high-speed robot with parallel kinematic system combines the speed of the delta design with a high payload capacity and a large working range. Due to the high torque of the fourth axis, the so-called wrist axis, the MOTOMAN

MPP3H moves payloads of up to 3 kg at unprecedented speeds. This delta robot was developed for a wide spectrum of industries, such as food and beverage, pharmaceutical and the automotive sector.

The MPP3H is driven by YASKAWA's compact FS100 controller and is available with advanced technologies such as MotoSight, MotoPick and conveyor tracking.



### KEY BENEFITS

- Protection classification IP67
- Payloads with unprecedented speed:
  - 150 cycles per minute with 3 kg payload
  - 185 cycles per minute with 1 kg payload
- Total stroke of 500 mm with a working range of 1300 mm
- High-precision, high-speed conveyor tracking
- Maximum machine accuracy
- Compact installation space: 684 mm diameter



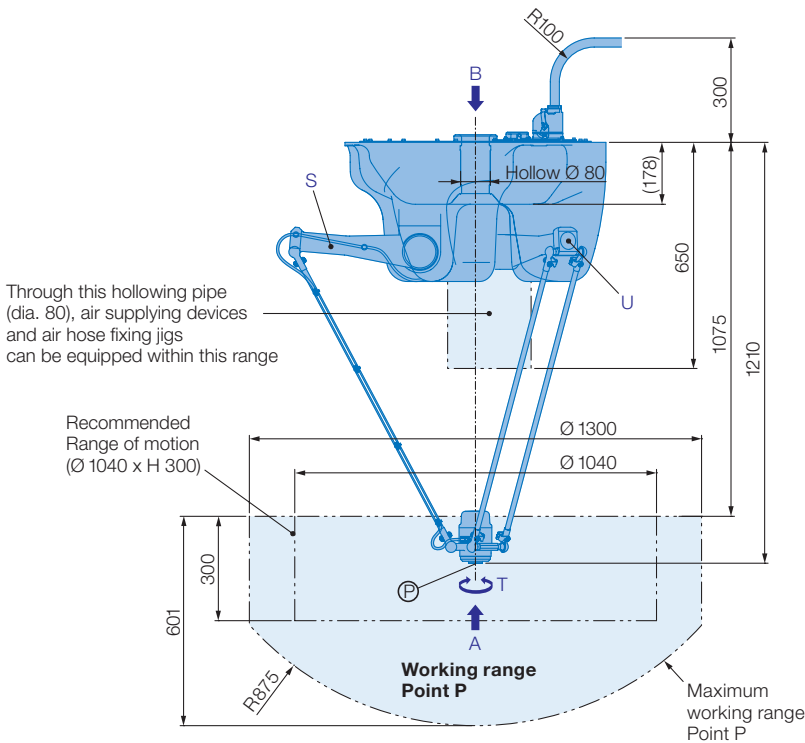
Fraunhofer

TESTED<sup>®</sup>  
DEVICE

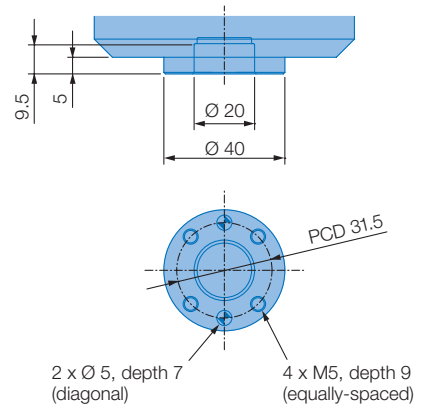
Yaskawa Europe GmbH  
MOTOMAN MPP3H  
Report No. YA 1410-730

Controlled by  
**FS100**

# MOTOMAN MPP3H

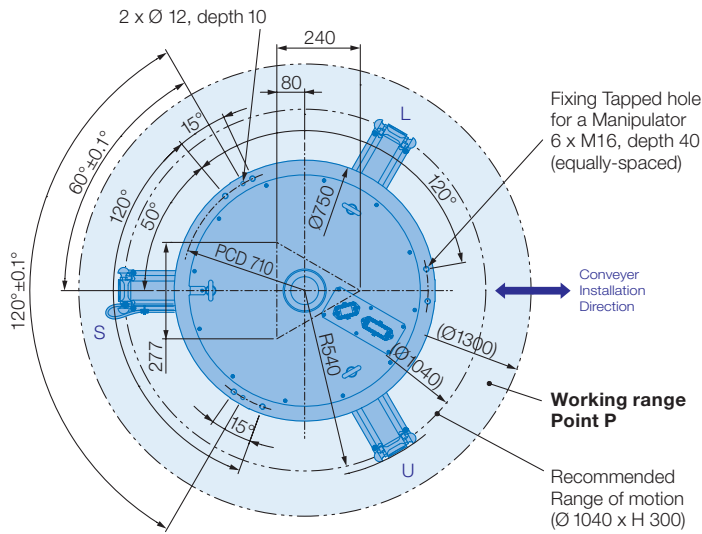
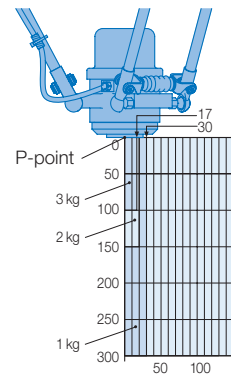


## View A



Mounting options: Ceiling

## Allowable wrist load



All dimensions in mm | Technical data may be subject to change without previous notice | For planning Multi-Robot-Systems please refer to your YASKAWA sales contact | Please request detailed drawings at [robotics@yaskawa.eu.com](mailto:robotics@yaskawa.eu.com) - YR-MPP0003H-A00, C-06-2015, A-No. 170962



## Specifications MPP3H

Pattern	Payload [kg]	CPM*	Payload [kg]	CPM*	Controlled axes	
					Max. payload [kg]	
25-305-25	1	230	3	170	Repeat. pos. accuracy [mm]	±0.1
300-400-100	1	100	3	80	Repet. rotational accuracy of T-axis [arc x min -1]	±1
70-700-70	1	130	3	95	Max. working range R [mm]	1300
	Conveyor speed** [mm/s]		Conveyor position repeat accuracy** [mm]		Temperature [°C]	0 to +40
	800		1		Humidity [%]	20 - 80
	1300		1,5		Weight [kg]	115
2000		3		Power supply, average [KVA]	1.5	
					IP class	IP67
					IPA cleanroom class	5

\* Cycle time without picking time and product.  
\*\* Values determined under test conditions, differences possible depending on application.

**YASKAWA**

[robotics@yaskawa.eu.com](mailto:robotics@yaskawa.eu.com)  
[www.yaskawa.eu.com](http://www.yaskawa.eu.com)

### YASKAWA Headquarters

YASKAWA Europe GmbH · Robotics Division  
Yaskawastraße 1 · D-85391 Allershausen  
Tel. +49 (0) 8166/90-0 · Fax +49 (0) 8166/90-103

### YASKAWA academy and sales office Frankfurt

YASKAWA Europe GmbH · Robotics Division  
Hauptstraße 185 · D-65760 Eschborn  
Tel. +49 (0) 6196/77725-0 · Fax +49 (0) 6196/77725-39