

# YASKAWA

# MOTOMAN MPL80 II

## Palletising with the MPL-series

The versatile and powerful 5-axis MOTOMAN MPL80 II robot provides high performance in case palletising, bag palletising, order picking and many further logistical tasks for end-of-line or distribution center automation.



Its extensive vertical reach of 3291 mm combined with 2061 mm horizontal reach enables high palletising loads. Empty tubes for internally routed airlines and cables from base to end-of-arm tool maximize system reliability.

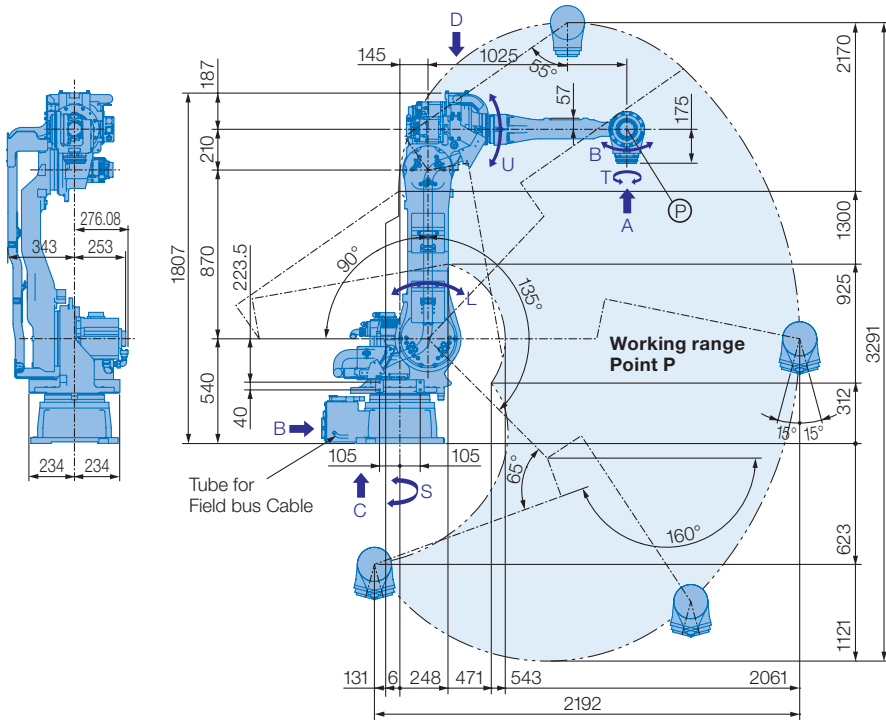
The MPL80 II is driven by the high-performance DX200 controller which is available with the optional Category 3 Functional Safety Unit (FSU), providing a variety of new safety functions.

### KEY BENEFITS

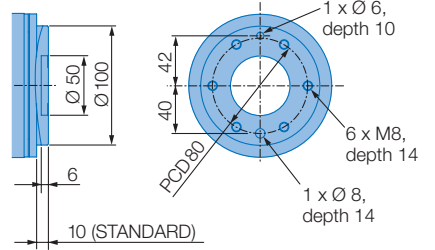
- Flexible and powerful
- High Payload: 80 kg
- Maximum reliability, empty tubes for internally routed airlines and cables
- Internally routed fieldbus connection (optional) to T-axis/tool
- Enhanced Safety Functions for DX200 Functional Safety Controller (FSU)

Controlled by  
**DX200**

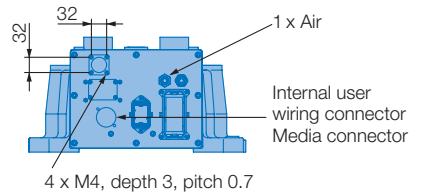
# MOTOMAN MPL80 II



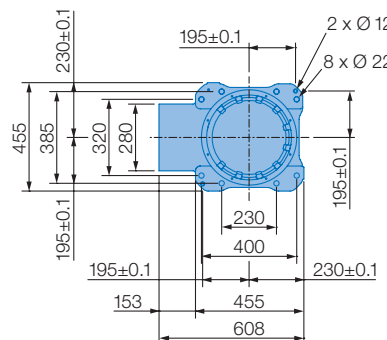
**View A**



**View B**



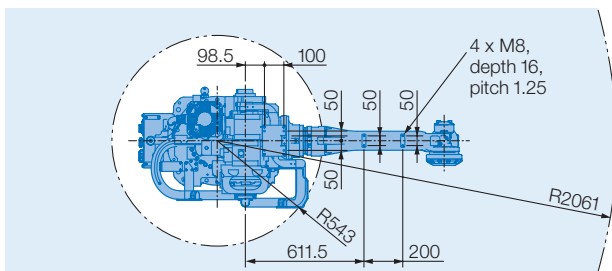
**View C**



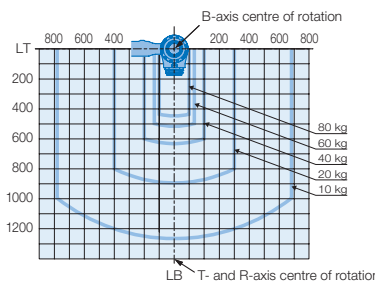
Mounting option: Floor

Protection class: IP54/67

All dimensions in mm | Technical data may be subject to change without previous notice | Please request detailed drawings at [robotics@yaskawa.eu.com](mailto:robotics@yaskawa.eu.com) - YR-MPL80II-J00, B-04-2016, A-No.170964



## Allowable wrist load



## Specifications MPL80 II

Axes	Maximum motion range [°]	Maximum speed [°/sec.]	Allowable moment [Nm]	Allowable moment of inertia [kg · m <sup>2</sup> ]	Controlled axes	
					Max. payload [kg]	
S	±180	170	-	-	Repeat. pos. accuracy [mm]	±0.07
L	+135/-90	170	-	-	Max. working range R [mm]	2061
U	+35/-160	170	-	-	Temperature [°C]	0 to +45
R	-	-	-	-	Humidity [%]	20 - 80
B	±15	170	78,4	16	Weight [kg]	550
T	±360	350	20,5	6.1	Power supply, average [KVA]	4

**YASKAWA**

[robotics@yaskawa.eu.com](mailto:robotics@yaskawa.eu.com)  
[www.yaskawa.eu.com](http://www.yaskawa.eu.com)

### YASKAWA Headquarters

YASKAWA Europe GmbH · Robotics Division  
Yaskawastraße 1 · D-85391 Allershausen  
Tel. +49 (0) 8166/90-0 · Fax +49 (0) 8166/90-103

### YASKAWA ACADEMY and sales office Frankfurt

YASKAWA Europe GmbH · Robotics Division  
Hauptstraße 185 · D-65760 Eschborn  
Tel. +49 (0) 6196/77725-0 · Fax +49 (0) 6196/77725-39