

YASKAWA

MOTOMAN MPL500 II

Palletising with the MPL-series

The versatile and powerful 4-axis MOTOMAN MPL500 II robot provides high performance in box palletising, case palletising and many further logistical tasks for end-of-line or distribution center automation.



Its extensive vertical reach of 3024 mm combined with 3159 mm horizontal reach enables high palletising loads. The empty tube for internally routed airlines and cables from base to U-axis maximize system reliability.

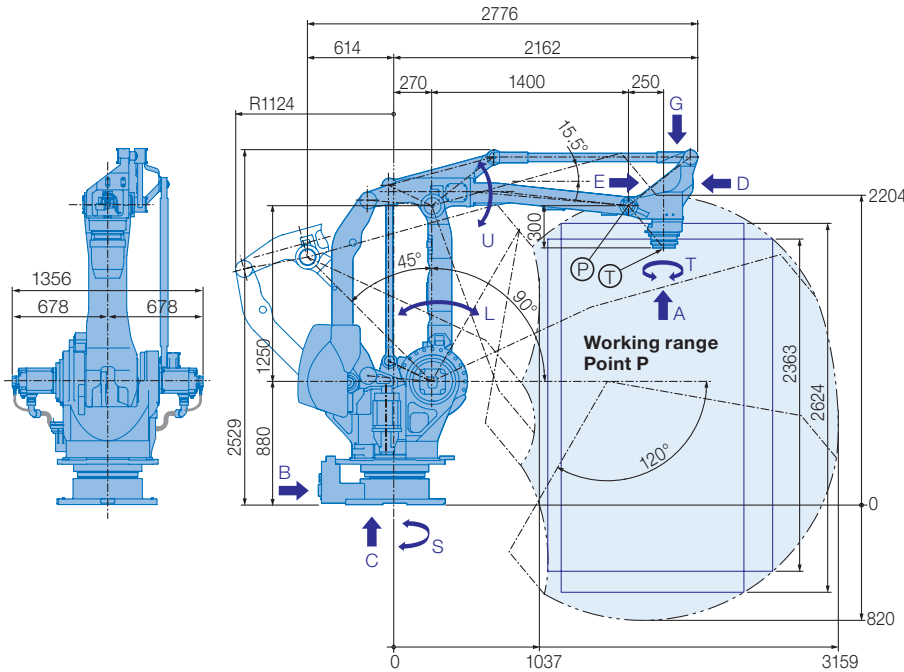
The MPL500 II is driven by the high-performance DX200 controller which is available with the optional Category 3 Functional Safety Unit (FSU), providing a variety of new safety functions.

KEY BENEFITS

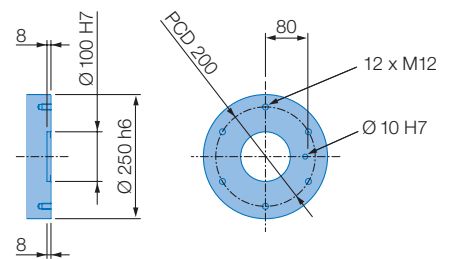
- Compact, flexible and powerful
- High acceleration and speed:
Up to 1200 cycles/h palletizing capa, suitable for box palletising
- High Payload: 500 kg
- Large motion range:
 - 2624 mm square reach (on pallet 1300 x 1300 mm)
 - 2363 mm stack height (on pallet 1600 x 1600 mm)
- Maximum reliability, empty tube for internally routed airlines and cables
- Enhanced Safety Functions for DX200 Functional Safety Controller (FSU)
- Protection class IP54/67

Controlled by
DX200

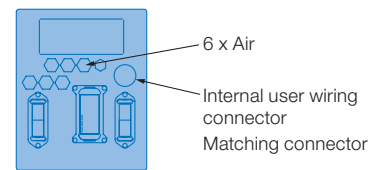
MOTOMAN MPL500 II



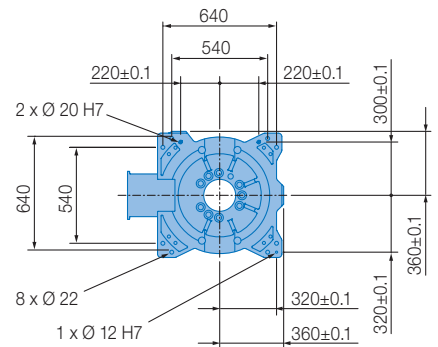
View A



View B

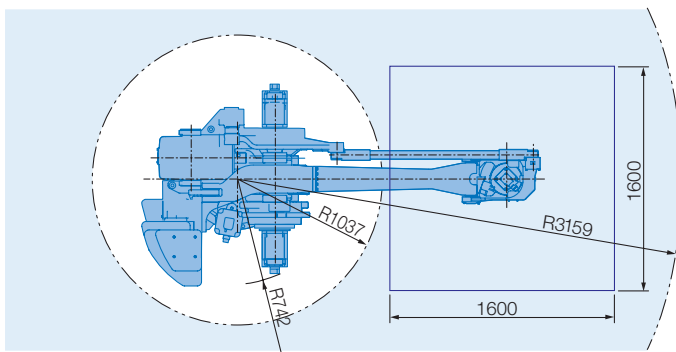


View C

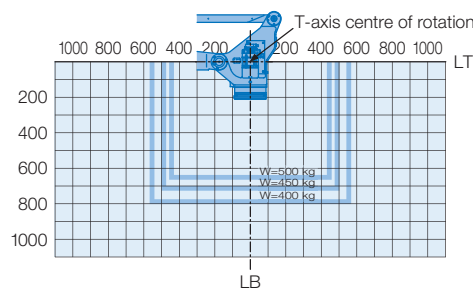


Mounting option: Floor
Protection class: IP54/67

All dimensions in mm | Technical data may be subject to change without previous notice | Please request detailed drawings at robotics@yaskawa.eu.com – YR-MPL500-J00, A-07-2016, A-No. 170970



Allowable wrist load



Specifications MPL500 II

Axes	Maximum motion range [°]	Maximum speed [°/sec.]	Allowable moment [Nm]	Allowable moment of inertia [kg · m ²]	Controlled axes	
					Max. payload [kg]	
S	±180	80	-	-	Repeat. pos. accuracy [mm]	±0.5
L	+90/-45	85	-	-	Max. working range R [mm]	3159
U	+15.5/-120	85	-	-	Temperature [°C]	0 to +45
R	-	-	-	-	Humidity [%]	20 - 80
B	-	-	-	-	Weight [kg]	2300
T	±360	195	-	200	Power supply, average [KVA]	11

YASKAWA

robotics@yaskawa.eu.com
www.yaskawa.eu.com

YASKAWA Headquarters

YASKAWA Europe GmbH · Robotics Division
Yaskawastraße 1 · D-85391 Allershausen
Tel. +49 (0) 8166/90-0 · Fax +49 (0) 8166/90-103

YASKAWA ACADEMY and sales office Frankfurt

YASKAWA Europe GmbH · Robotics Division
Hauptstraße 185 · D-65760 Eschborn
Tel. +49 (0) 6196/77725-0 · Fax +49 (0) 6196/77725-39