

YASKAWA

MOTOMAN MPL100 II

Palletising with the MPL-series

The versatile and powerful 5-axis MOTOMAN MPL100 II robot provides high performance in bag palletising, case palletising, order picking and many further logistical tasks for end-of-line or distribution center automation.



Its extensive vertical reach of 3149 mm combined with 2150 mm horizontal reach enables high palletising loads. Empty tubes for internally routed airlines and cables from base to end-of-arm tool maximize system reliability. This robot will be delivered including C-Flange.

The MPL100 II is driven by the high-performance DX200 controller which is available with the optional Category 3 Functional Safety Unit (FSU), providing a variety of new safety functions.

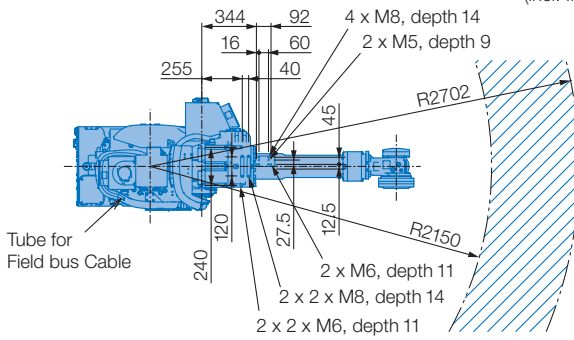
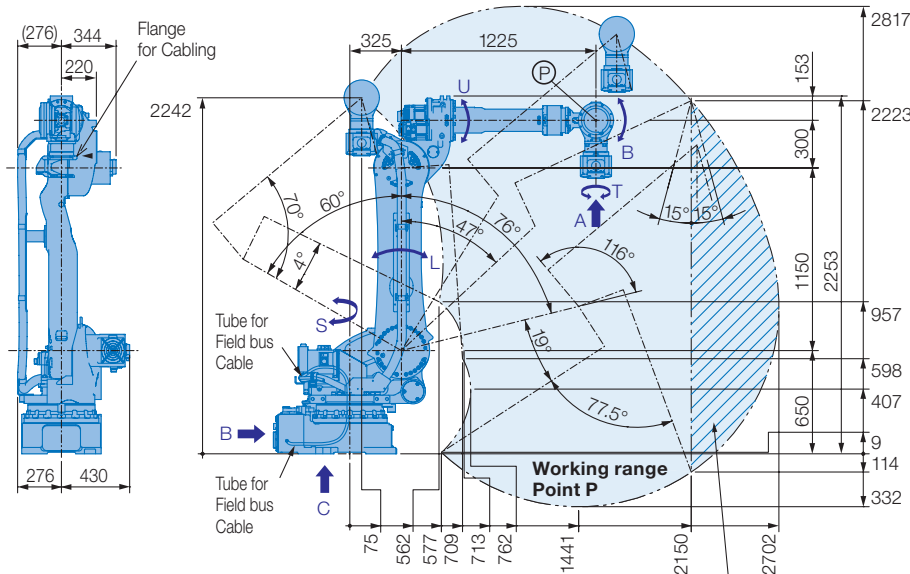
KEY BENEFITS

- Compact, flexible and powerful
- High acceleration and speed:
Up to 1570 cycles/h palletizing capa, suitable for bag palletising
- High Payload: 100 kg
- Large motion range:
 - 1500 mm square reach
 - 1900 mm stack height
- Maximum reliability, empty tubes for internally routed airlines and cables
- Internally routed fieldbus connection (optional) to T-axis/tool
- U-shaped flange for easy cable routing
- Enhanced Safety Functions for DX200 Functional Safety Controller (FSU)

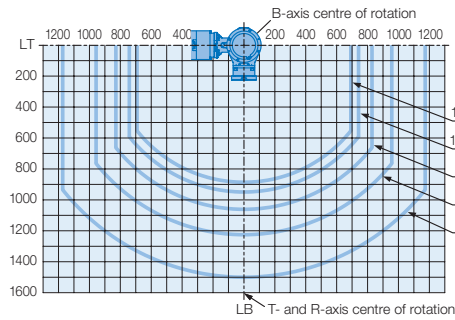
Suitable
for bag
palletising

Controlled by
DX200

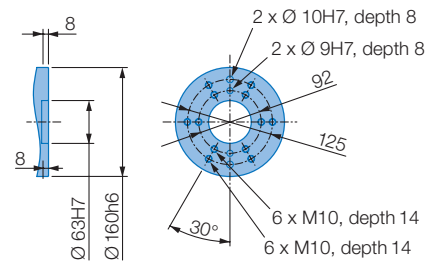
MOTOMAN MPL100 II



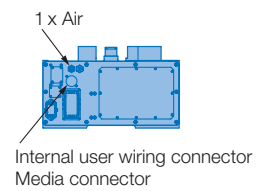
Allowable wrist load



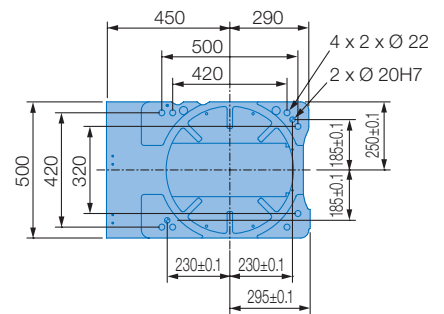
View A



View B



View C



Mounting option: Floor

Protection class: IP54/67

All dimensions in mm | Technical data may be subject to change without previous notice | Please request detailed drawings at robotics@yaskawa.eu.com – YR-MPL100-J00, C-06-2016, A-No. 170986



Specifications MPL100 II

Axes	Maximum motion range [°]	Maximum speed [°/sec.]	Allowable moment [Nm]	Allowable moment of inertia [kg · m ²]	Controlled axes	
					Max. payload [kg]	
S	±180	125	–	–	Repeat. pos. accuracy [mm]	±0.2
L	+76/–60	88	–	–	Max. working range R [mm]	2150
U	+40/–147	125	–	–	Temperature [°C]	0 to +45
R	–	–	–	–	Humidity [%]	10 – 90
B	±15	175	196	90	Weight [kg]	950
T	±360	265	–	55	Power supply, average [KVA]	8

YASKAWA

robotics@yaskawa.eu.com
www.yaskawa.eu.com

YASKAWA Headquarters

YASKAWA Europe GmbH · Robotics Division
Yaskawastraße 1 · D-85391 Allershausen
Tel. +49 (0) 8166/90-0 · Fax +49 (0) 8166/90-103

YASKAWA ACADEMY and sales office Frankfurt

YASKAWA Europe GmbH · Robotics Division
Hauptstraße 185 · D-65760 Eschborn
Tel. +49 (0) 6196/77725-0 · Fax +49 (0) 6196/77725-39