

YASKAWA

MOTOMAN MH80 II

Handling & General Applications with the MH-series

The MOTOMAN MH80 II is a versatile high speed 6-axis robot, providing a high payload of up to 80 kg. It offers superior performance in material handling, machine tending, processing and dispensing applications.

Despite its streamlined body, the MOTOMAN MH80 II features a wide work envelope with a small interference radius. Thereby it can be placed close to machines for loading and unloading of parts, which reduces the required floor space to a minimum.

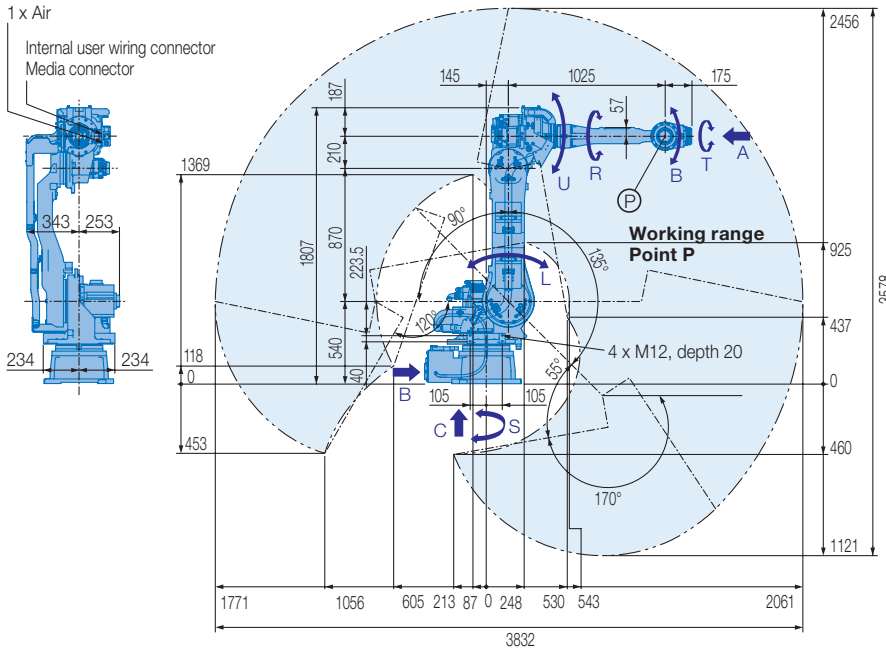


KEY BENEFITS

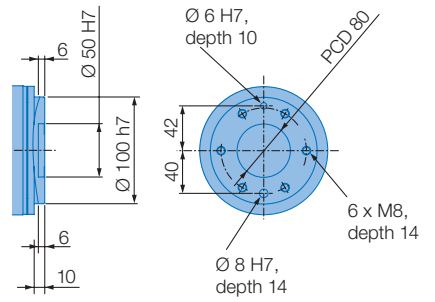
- Flexible and powerful
- High axis speeds
- Improved wrist ratings provide higher handling capacity
- Small interference radius reduces floor space requirements

Controlled by
DX200

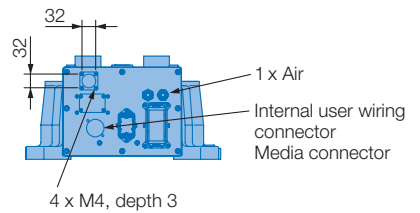
MOTOMAN MH80 II



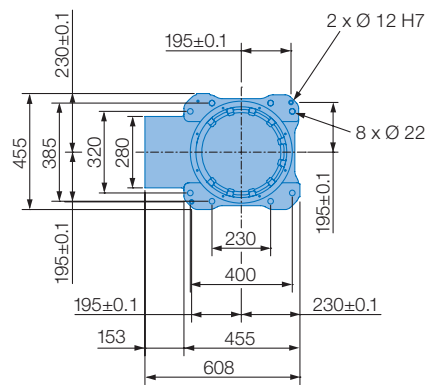
View A



View B

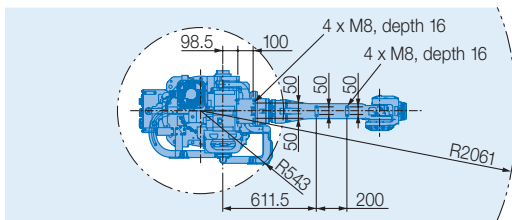


View C

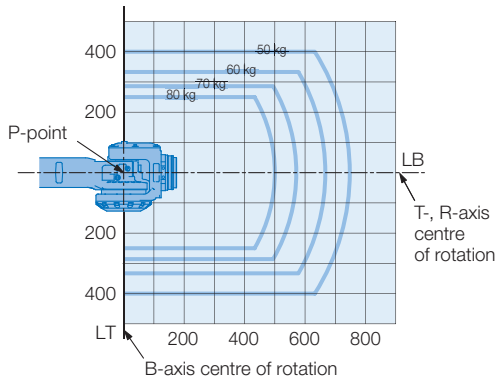


Mounting options: Floor

All dimensions in mm | Technical data may be subject to change without previous notice | Please request detailed drawings at robotics@yaskawa.eu - YR-MH00080II-J00, B-05-2015, A-No. 167105



Allowable wrist load



Specifications MH80 II

Axes	Maximum motion range [°]	Maximum speed [°/sec.]	Allowable moment [Nm]	Allowable moment of inertia [kg · m ²]	Controlled axes	
					Max. payload [kg]	
S	±180	170	-	-	Repeat. pos. accuracy [mm]	±0,07
L	+135/-90	140	-	-	Max. working range [mm]	R = 2061
U	+251/-170	160	-	-	Temperature [°C]	0 bis +45
R	±360	230	392	28	Humidity [%]	20 - 80
B	±125	230	392	28	Weight [kg]	555
T	±360	350	196	11	Power supply, average [KVA]	4,5

YASKAWA

robotics@yaskawa.eu
www.yaskawa.eu

YASKAWA Headquarters

YASKAWA Europe GmbH · Robotics Division
Yaskawastraße 1 · D-85391 Allershausen
Tel. +49 (0) 8166/90-0 · Fax +49 (0) 8166/90-103

YASKAWA academy and sales office Frankfurt

YASKAWA Europe GmbH · Robotics Division
Hauptstraße 185 · D-65760 Eschborn
Tel. +49 (0) 6196/77725-0 · Fax +49 (0) 6196/77725-39