

# YASKAWA

# MOTOMAN MH600

## Handling & General Applications with the MH-series

The 6-axis MOTOMAN MH600 is a versatile, powerful robot offering superior performance for a variety of applications. It provides a high payload of 600 kg and a wide motion range, which especially enables the handling of large and heavy work pieces.



The robot features a parallel-link construction for strength, rigidity and stabilization of high moment and inertia loads. The MH600 also has heavy-duty bearings which provide a smooth arm rotation.

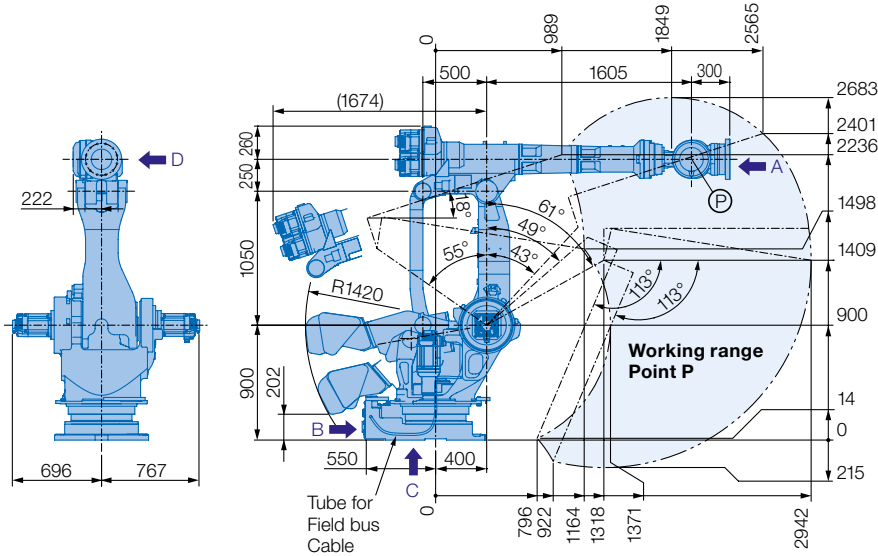
The MOTOMAN MH600 is available with the optional Category 3 Functional Safety Unit (FSU), which allows an establishment of 32 safety units and up to 16 tools.

### KEY BENEFITS

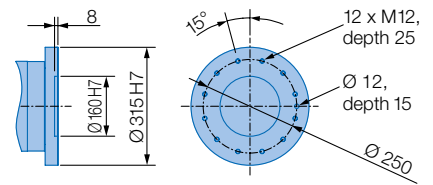
- Ideal for handling of large work pieces
- High payload: 600 kg
- Wide motion range: 2942 mm
- Fast, flexible and powerful
- Parallel-link construction
- Heavy-duty bearings for smooth arm rotation
- Enhanced safety functions

Controlled by  
**DX200**

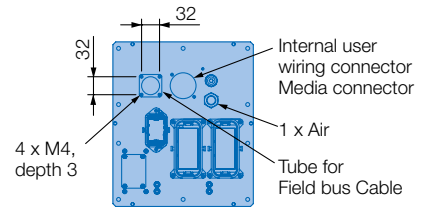
# MOTOMAN MH600



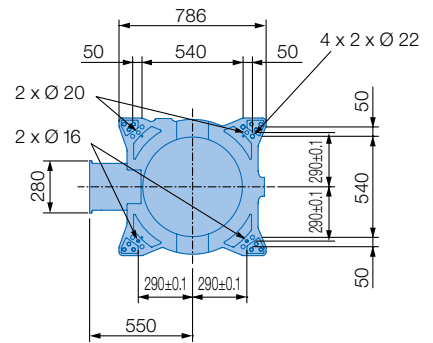
**View A**



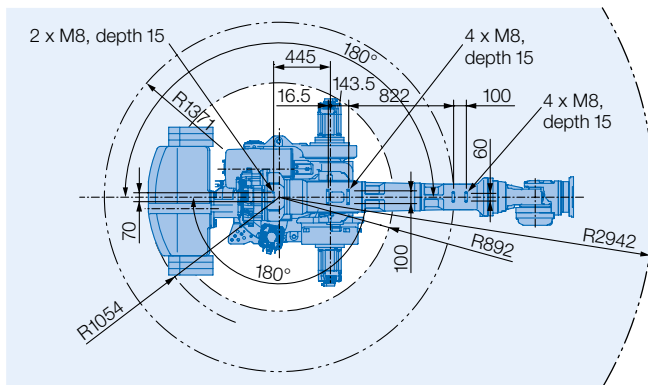
**View B**



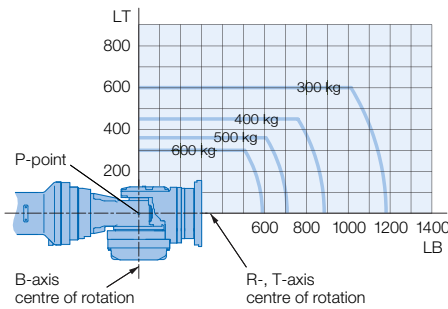
**View C**



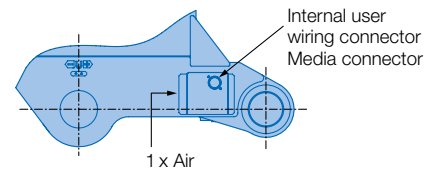
Mounting option: Floor



**Allowable wrist load**



**View D**



All dimensions in mm | Technical data may be subject to change without previous notice | Please request detailed drawings at [robotics@yaskawa.eu.com](mailto:robotics@yaskawa.eu.com) - YR-MH600-A00, A-11-2015, A-No. 167111



## Specifications MH600

Axes	Maximum motion range [°]	Maximum speed [°/sec.]	Allowable moment [Nm]	Allowable moment of inertia [kg · m <sup>2</sup> ]	Controlled axes	
					Max. payload [kg]	Repeat. pos. accuracy [mm]
S	±180	82	-	-	6	±0.3
L	+61/-55	82	-	-	600	±0.3
U	+18/-113	82	-	-	2942	0 to +45
R	±360	80	3430	520	20 - 80	20 - 80
B	±115	80	3430	520	3050	20 - 80
T	±360	162	1764	350	7.5	7.5

**YASKAWA**

[robotics@yaskawa.eu.com](mailto:robotics@yaskawa.eu.com)  
[www.yaskawa.eu.com](http://www.yaskawa.eu.com)

### YASKAWA Headquarters

YASKAWA Europe GmbH · Robotics Division  
Yaskawastraße 1 · D-85391 Allershausen  
Tel. +49 (0) 8166/90-0 · Fax +49 (0) 8166/90-103

### YASKAWA academy and sales office Frankfurt

YASKAWA Europe GmbH · Robotics Division  
Hauptstraße 185 · D-65760 Eschborn  
Tel. +49 (0) 6196/77725-0 · Fax +49 (0) 6196/77725-39