

# YASKAWA

# MOTOMAN MH400 II

## Handling & General Applications with the MH-series

The 6-axis MOTOMAN MH400 II is a versatile, powerful robot offering superior performance for a variety of applications. It provides a high payload of 400 kg and a wide motion range, which especially enables the handling of large work pieces.



The robot features a parallel-link construction for strength, rigidity and stabilization of high moment and inertia loads. The MH400 II also has heavy-duty bearings which provide a smooth arm rotation.

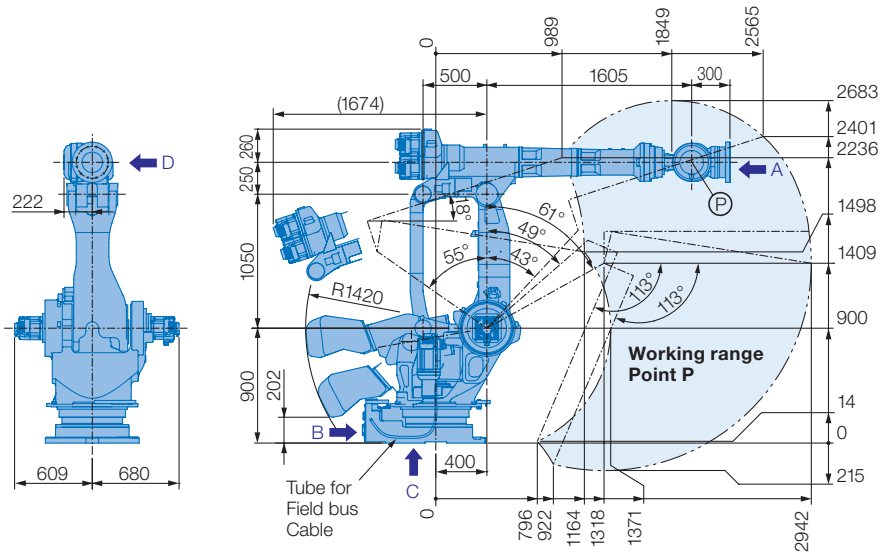
The MOTOMAN MH400 II is available with the optional Category 3 Functional Safety Unit (FSU), which allows an establishment of 32 safety units and up to 16 tools.

### KEY BENEFITS

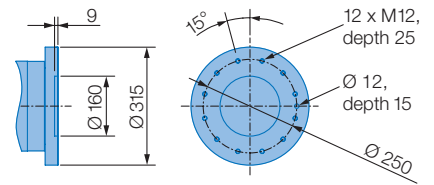
- Fast, flexible and powerful
- High payload: 400 kg
- Wide motion range: 2942 mm
- Parallel-link construction
- Heavy-duty bearings for smooth arm rotation
- Enhanced safety functions

Controlled by  
**DX200**

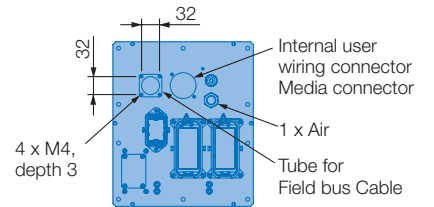
# MOTOMAN MH400 II



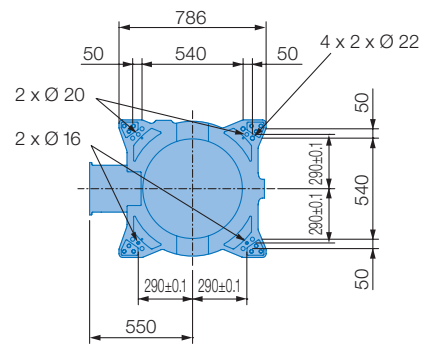
## View A



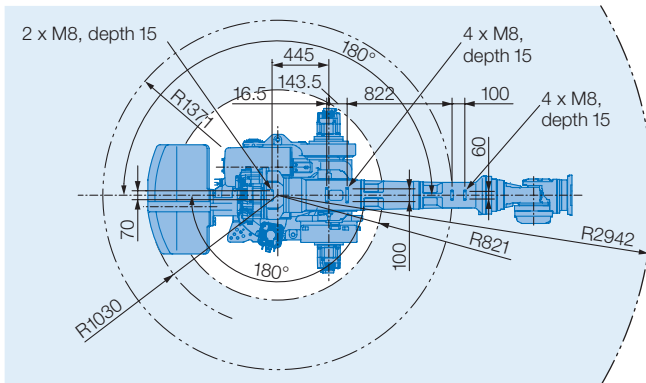
## View B



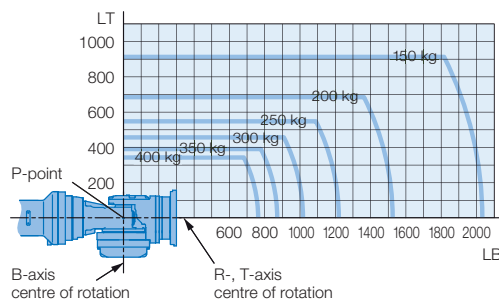
## View C



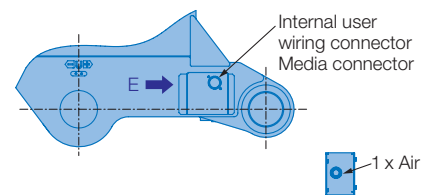
Mounting option: Floor



## Allowable wrist load



## View D



All dimensions in mm | Technical data may be subject to change without previous notice | Please request detailed drawings at [robotics@yaskawa.eu.com](mailto:robotics@yaskawa.eu.com) – YR-MH400-J00, B-05-2015, A-No. 171855



## Specifications MH400 II

Axes	Maximum motion range [°]	Maximum speed [°/sec.]	Allowable moment [Nm]	Allowable moment of inertia [kg · m <sup>2</sup> ]	Controlled axes	
					Max. payload [kg]	
S	±180	102	–	–	Repeat. pos. accuracy [mm]	±0.3
L	+61/–55	97	–	–	Max. working range [mm]	R = 2942
U	+18/–113	97	–	–	Temperature [°C]	0 to +45
R	±360	80	2989	500	Humidity [%]	20 – 80
B	±115	80	2989	500	Weight [kg]	2700
T	±360	172	1343	315	Power supply, average [KVA]	7.0

**YASKAWA**

[robotics@yaskawa.eu.com](mailto:robotics@yaskawa.eu.com)  
[www.yaskawa.eu.com](http://www.yaskawa.eu.com)

### YASKAWA Headquarters

YASKAWA Europe GmbH · Robotics Division  
Yaskawastraße 1 · D-85391 Allershausen  
Tel. +49 (0) 8166/90-0 · Fax +49 (0) 8166/90-103

### YASKAWA academy and sales office Frankfurt

YASKAWA Europe GmbH · Robotics Division  
Hauptstraße 185 · D-65760 Eschborn  
Tel. +49 (0) 6196/77725-0 · Fax +49 (0) 6196/77725-39