

YASKAWA

MOTOMAN MH3F

Handling & General Applications with the MH-series

YASKAWA's smallest type of the MH-series, the MOTOMAN MH3F, is a powerful high-speed 6-axis robot, designed for more compact, lighter payload applications. The high repeatability of 0.03 mm offers superior performance in small part handling and assembly and

is ideal for lab automation, education and research applications. The base width of only 170 mm allows it to be mounted in confined spaces.

The compact design and built-in collision avoidance features with multiple robot control allow up to two robots to be used together to optimise productivity. Furthermore the internally routed cables and hoses maximize the system reliability.

This robot can be driven by the FS100 compact controller.

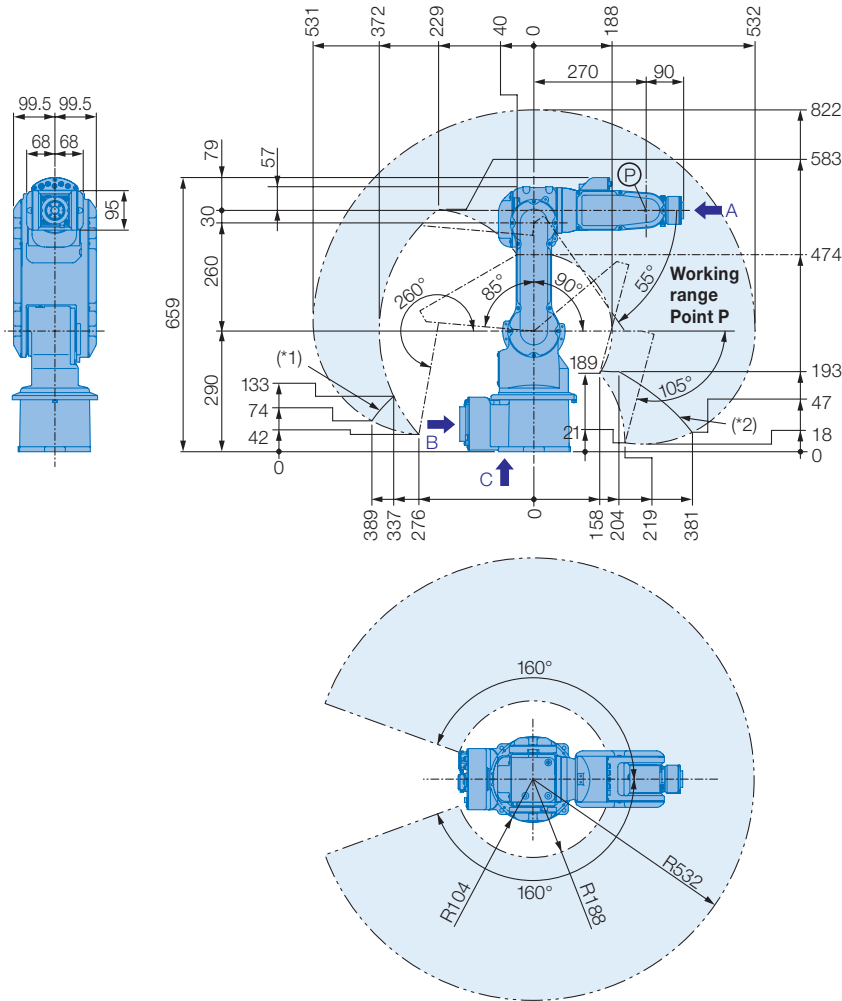


KEY BENEFITS

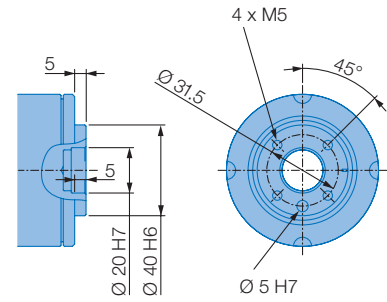
- Excellent value for money makes this an affordable robot
- 6 axes design provides high flexibility
- 3 kg payload is ideal for light duty handling and process applications
- High repeatability delivers accurate process
- Compact body design with internally routed services allow for small installation footprint
- Floor, wall and ceiling mounting options provide integration flexibility

Controlled by
FS100

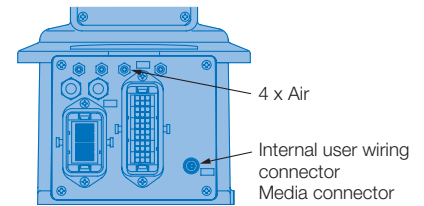
MOTOMAN MH3F



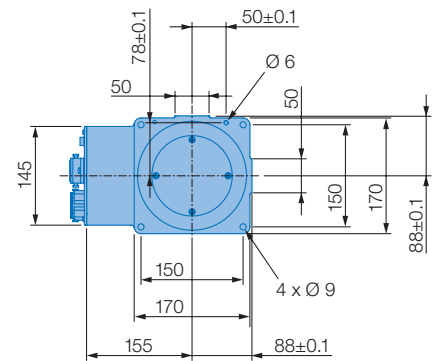
View A



View B



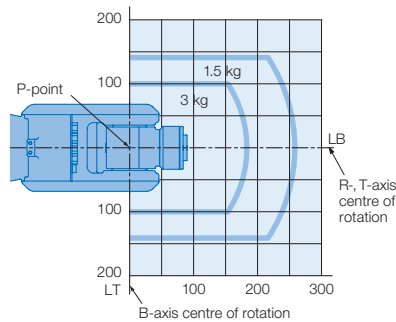
View C



Mounting options: Floor, ceiling, wall

All dimensions in mm | Technical data may be subject to change without previous notice | Please request detailed drawings at robotics@yaskawa.eu.com – YR-MH0003F-A00, C-06-2015, A-No.161753

Allowable wrist load



Specifications MH3F

Axes	Maximum motion range [°]	Maximum speed [°/sec.]	Allowable moment [Nm]	Allowable moment of inertia [kg · m ²]	Controlled axes	
					Max. payload [kg]	
S	±160	200	–	–	Repeat. pos. accuracy [mm]	±0.03
L	+90/–85	150	–	–	Max. working range R [mm]	532
U	+260/–105	190	–	–	Temperature [°C]	0 to +40
R	±170	300	5.39	0.10	Humidity [%]	20 – 80
B	±120	300	5.39	0.10	Weight [kg]	27
T	±360	420	2.94	0.03	Power supply, average [KVA]	0.5

YASKAWA

robotics@yaskawa.eu.com
www.yaskawa.eu.com

YASKAWA Headquarters

YASKAWA Europe GmbH · Robotics Division
Yaskawastraße 1 · D-85391 Allershausen
Tel. +49 (0) 8166/90-0 · Fax +49 (0) 8166/90-103

YASKAWA academy and sales office Frankfurt

YASKAWA Europe GmbH · Robotics Division
Hauptstraße 185 · D-65760 Eschborn
Tel. +49 (0) 6196/77725-0 · Fax +49 (0) 6196/77725-39