

MOTOMAN MH3BM

Food & Pharma Applications with the MH-series

Handling & Biomedical Applications

The MOTOMAN MH3BM is a high speed robot model to cover handling applications in the pharmaceutical, chemical and medical industry and for other applications under harsh environmental

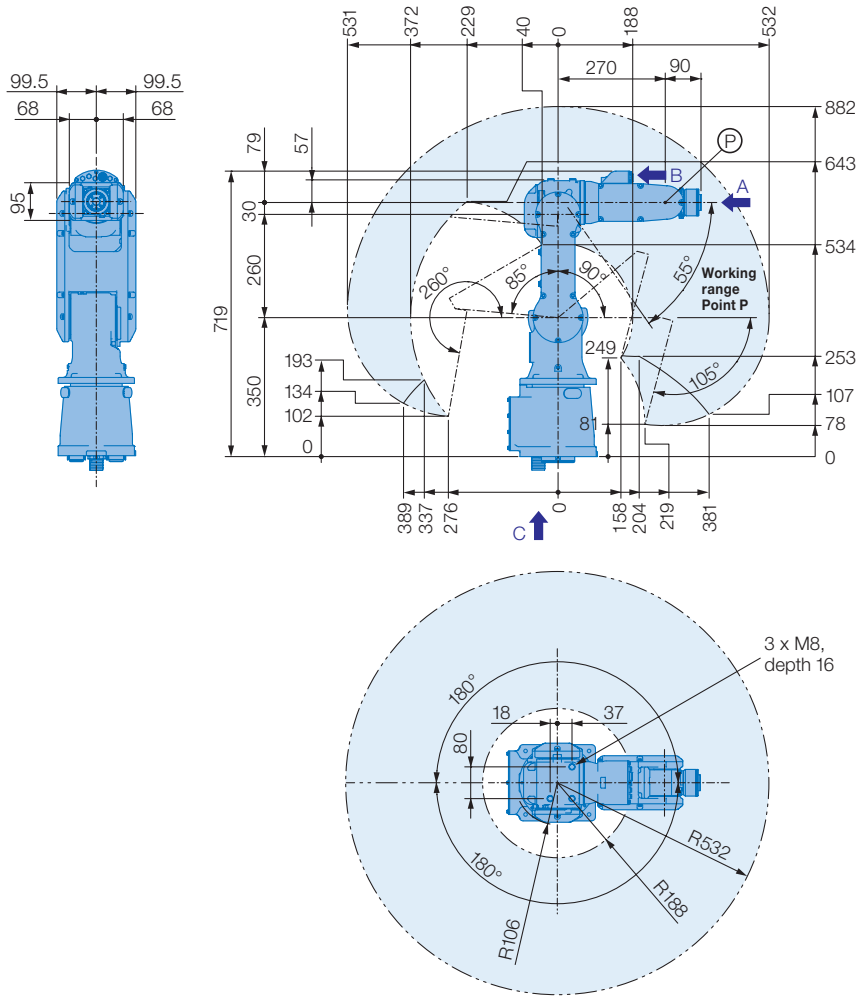


conditions. High payload capability (3 kg), best motion speed and working range (allowing one full turn of the main S-axis) are unique and best in class. Power cables are guided through the baseplate through the robot's base socket, application cables can be guided through the robot arm, both keeping your installation tidy and easy to clean. The special coating and surface enables cleaning with hydrogen peroxide. The enclosed structure is sealed to provide ingress protection conforming to IP67 for the wrist and IP65 for the main axes. It complies with ISO cleanroom class 5, which does not allow dust to be generated or adhere.

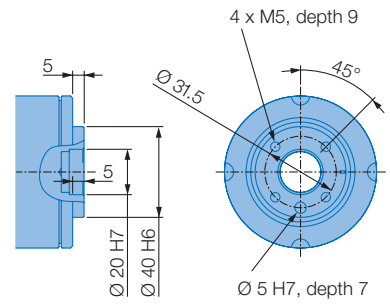
KEY BENEFITS

- Compact and lightweight
- Highest payload (3 kg) and motion range in its class
- Washdown design for excellent hygiene management: ISO class 5 (DIN ISO 14644-1), clean room rated
- Base with power cable exit, provides sealed environment

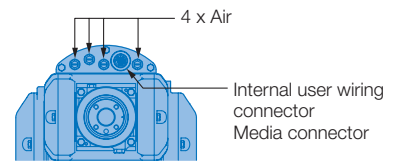
MOTOMAN MH3BM



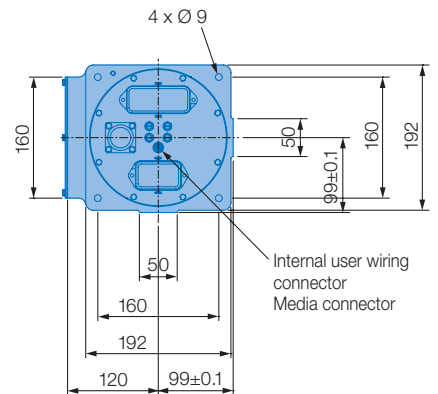
View A



View B

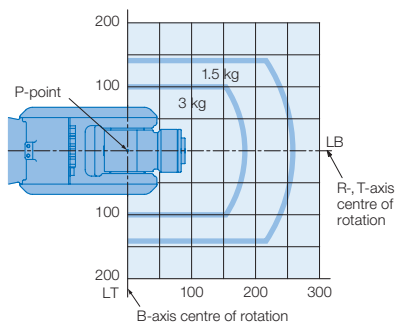


View C



Mounting options: Floor, ceiling, wall

Allowable wrist load



All dimensions in mm | Technical data may be subject to change without previous notice | Please request detailed drawings at robotics@yaskawa.eu.com – YR-MH003BM-A00, C-06-2015, A-No. 163281

Specifications MH3BM

Axes	Maximum motion range [°]	Maximum speed [°/sec.]	Allowable moment [Nm]	Allowable moment of inertia [kg · m ²]	Controlled axes	
					Max. payload [kg]	
S	±180	310	–	–	Repeat. pos. accuracy [mm]	±0.03
L	+90/–85	150	–	–	Max. working range R [mm]	532
U	+260/–105	190	–	–	Temperature [°C]	0 to +40
R	±170	300	5.39	0.10	Humidity [%]	20 – 80
B	±120	300	5.39	0.10	Weight [kg]	31
T	±360	420	2.94	0.03	Power supply, average [KVA]	0.5

YASKAWA

robotics@yaskawa.eu.com
www.yaskawa.eu.com

YASKAWA Headquarters

YASKAWA Europe GmbH · Robotics Division
Yaskawastraße 1 · D-85391 Allershausen
Tel. +49 (0) 8166/90-0 · Fax +49 (0) 8166/90-103

YASKAWA academy and sales office Frankfurt

YASKAWA Europe GmbH · Robotics Division
Hauptstraße 185 · D-65760 Eschborn
Tel. +49 (0) 6196/77725-0 · Fax +49 (0) 6196/77725-39