

YASKAWA

MOTOMAN MH280 II

Handling & General Applications with the MH-series

The MOTOMAN MH280 II is a versatile, high-speed 6-axis robot offering superior performance in material handling, machine tending and press tending.

The MH280 II offers a large work envelope of 2,446 mm and a high moment of inertia ratings. Fast axial speeds and acceleration reduce

cycle times and increase production output. The compact, slim design allows the robot to reach into confined spaces, improving system productivity.

The MOTOMAN MH280 II is available with the optional Category 3 Functional Safety Unit (FSU), which allows an establishment of 32 safety units and up to 16 tools.

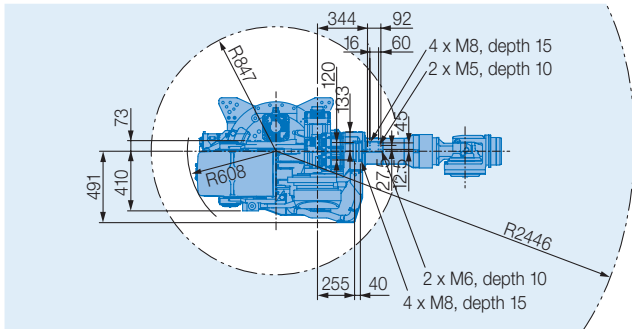
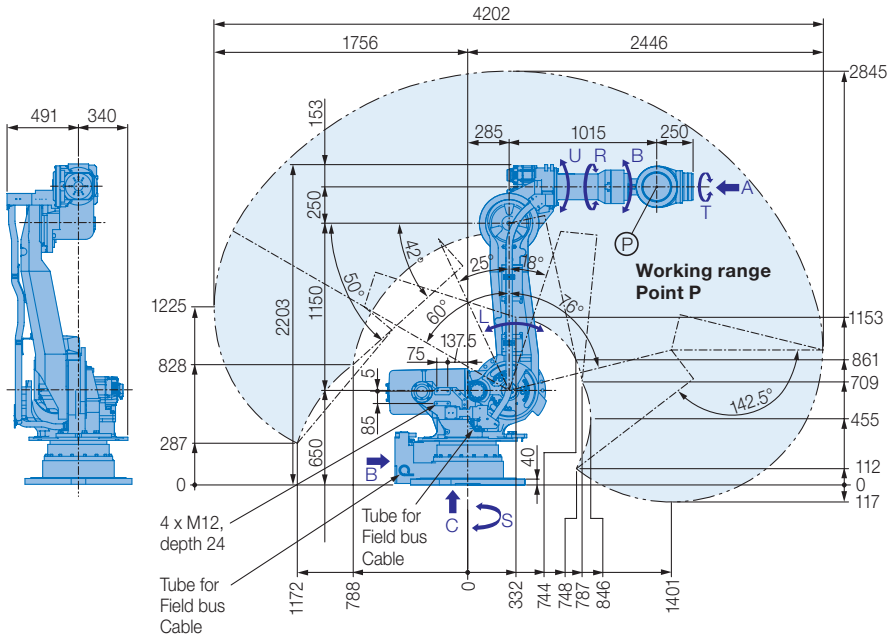


KEY BENEFITS

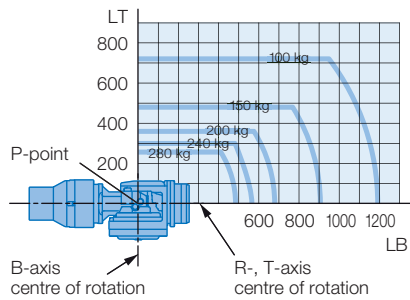
- Fast, flexible and powerful
- Compact design allows maximum performance using minimal floor space
- Max. payload of 280 kg
- Max. working range of 2,446 mm
- Enhanced safety functions (optional)

Controlled by
DX200

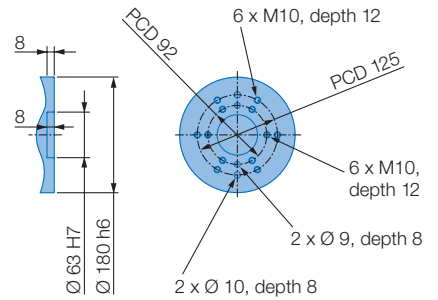
MOTOMAN MH280 II



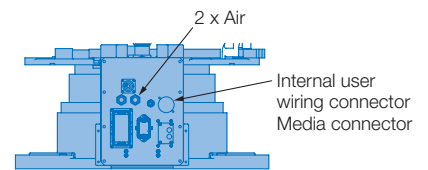
Allowable wrist load



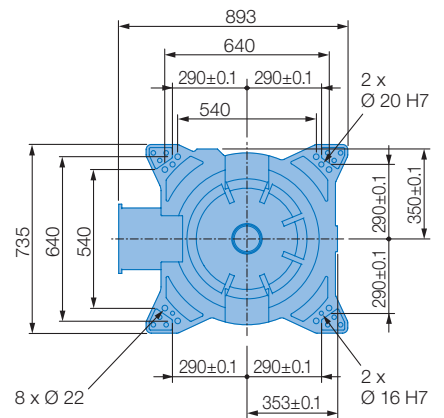
View A



View B



View C



Mounting option: Floor

All dimensions in mm | Technical data may be subject to change without previous notice | Please request detailed drawings at robotics@yaskawa.eu.com - YR-MH280-J00, B-05-2015, A-No. 167107

Specifications MH280 II

Axes	Maximum motion range [°]	Maximum speed [°/sec.]	Allowable moment [Nm]	Allowable moment of inertia [kg · m ²]	Controlled axes	
					Max. payload [kg]	
S	±180	90	-	-	6	
L	+76/-60	80	-	-	280	
U	+230/-142.5	90	-	-	Repeat. pos. accuracy [mm]	±0.2
R	±360	115	1333	142	Max. working range [mm]	R = 2446
B	±125	110	1333	142	Temperature [°C]	0 to +45
T	±360	190	706	79	Humidity [%]	20 - 80
					Weight [kg]	1120
					Power supply, average [KVA]	5

YASKAWA

robotics@yaskawa.eu.com
www.yaskawa.eu.com

YASKAWA Headquarters

YASKAWA Europe GmbH · Robotics Division
Yaskawastraße 1 · D-85391 Allershausen
Tel. +49 (0) 8166/90-0 · Fax +49 (0) 8166/90-103

YASKAWA academy and sales office Frankfurt

YASKAWA Europe GmbH · Robotics Division
Hauptstraße 185 · D-65760 Eschborn
Tel. +49 (0) 6196/77725-0 · Fax +49 (0) 6196/77725-39