

MOTOMAN MH24

Handling & General Applications with the MH-series

The 6-axis MOTOMAN MH24 high-speed robot from YASKAWA offers outstanding performance in a wide range of applications, e.g. handling or machine tending. The hollow structure of the upper arm (diameter 50 mm) of this universal robot allows internal routing



of supply lines, thereby reducing interference contours and increasing the service life of the hose package. Despite the hollow design, the outer contour of the upper arm has only been slightly modified.

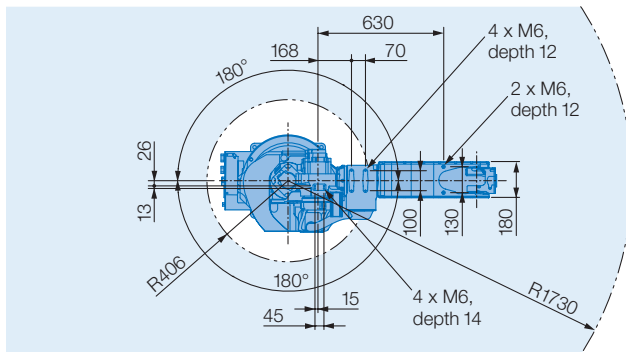
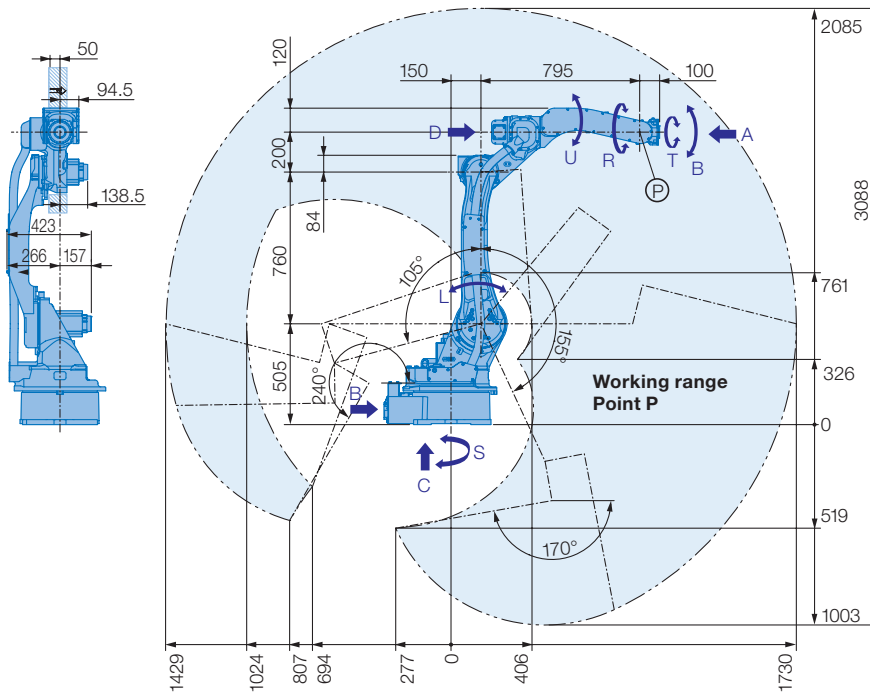
With its high payload capacity of 24 kg and streamlined design, the MOTOMAN MH24 only has a small footprint. Maintenance is simplified by means of a preventive maintenance function for gear-motors and hardware.

New safety functions, such as position monitoring of the robot and accessories for motion limitation, and an external media package for field bus cables are optionally available.

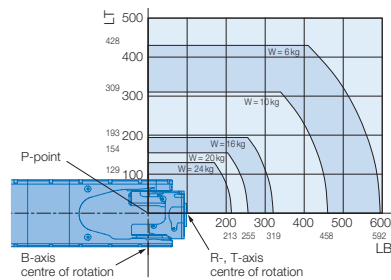
KEY BENEFITS

- Fast, compact and powerful (max. payload capacity 24 kg)
- Universally deployable
- Hollow front arm:
 - Diameter 50 mm
 - Additional payload 12 kg
 - Minimized interference contours
- Simple servicing/maintenance
- Advanced safety functions

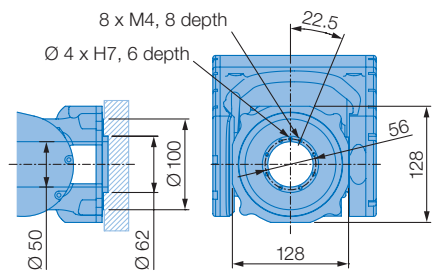
MOTOMAN MH24



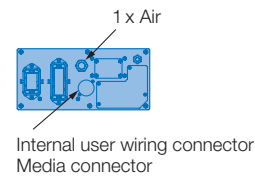
Allowable wrist load



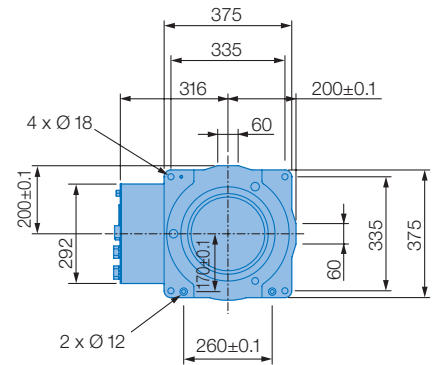
View A



View B

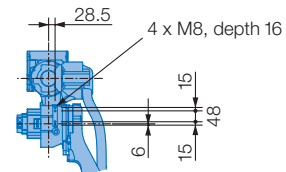


View C



Mounting options: Floor, wall, ceiling

View D



All dimensions in mm | Technical data may be subject to change without previous notice | Please request detailed drawings at robotics@yaskawa.eu.com - YR-MH00024-A00, D-02-2016, A-No. 167089

Specifications MH24

Axes	Maximum motion range [°]	Maximum speed [°/sec.]	Allowable moment [Nm]	Allowable moment of inertia [kg · m ²]	Controlled axes	
					Max. payload [kg]	
S	±180	197	-	-	6	
L	+155/-105	190	-	-	24	
U	+240/-170	210	-	-	Repeat. pos. accuracy [mm]	±0.06
R	±200	410	50.0	2.1	Max. working range R [mm]	1730
B	±150	410	50.0	2.1	Temperature [°C]	0 to +45
T	±455	620	30.4	1.1	Humidity [%]	20 - 80
					Weight [kg]	268
					Power supply, average [KVA]	2.0

YASKAWA

robotics@yaskawa.eu.com
www.yaskawa.eu.com

YASKAWA Headquarters

YASKAWA Europe GmbH · Robotics Division
Yaskawastraße 1 · D-85391 Allershausen
Tel. +49 (0) 8166/90-0 · Fax +49 (0) 8166/90-103

YASKAWA ACADEMY and sales office Frankfurt

YASKAWA Europe GmbH · Robotics Division
Hauptstraße 185 · D-65760 Eschborn
Tel. +49 (0) 6196/77725-0 · Fax +49 (0) 6196/77725-39