

YASKAWA

MOTOMAN MH225

Handling & General Applications with the MH-series

The 6-axis MOTOMAN MH225 is a versatile, high speed robot offering superior performance for a variety of applications, like material handling, machine- and press tending.

Despite of providing a high payload of 225 kg and the wide motion range of 2702 mm, the MOTOMAN MH225 was designed with a width of 625 mm, therefore valuable floor space can be saved. With the higher axis operation speed and speed reducer rigidity, a new vibration control system was developed. By reducing cycle times, this system realises high increases in productivity.

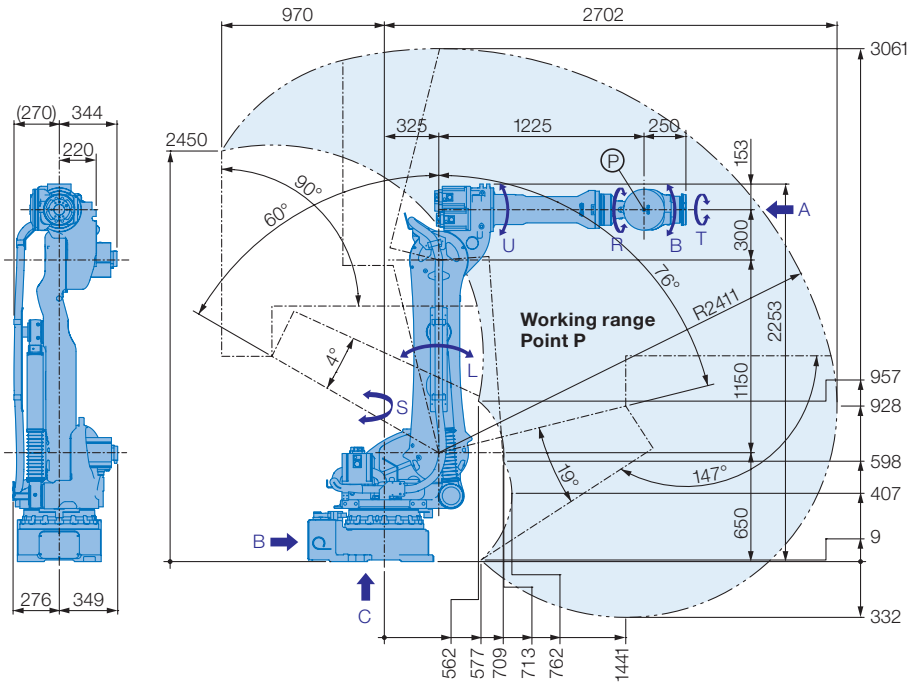


KEY BENEFITS

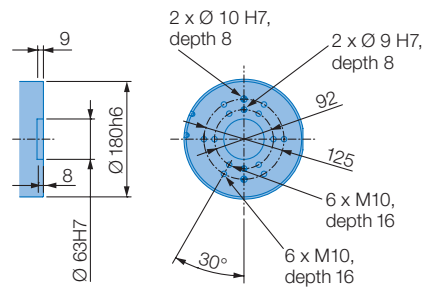
- Fast, flexible and powerful
- High payload: 225 kg
- Wide motion range: 2702 mm
- Maximum performance using minimal floor space

Controlled by
DX200

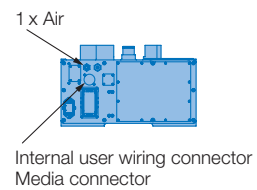
MOTOMAN MH225



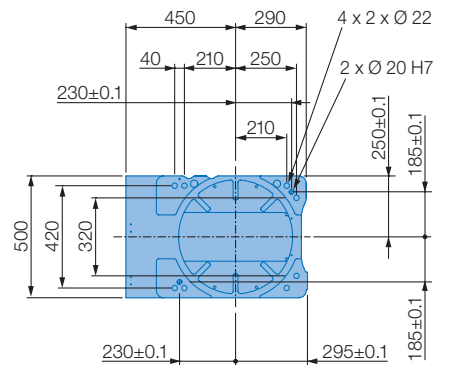
View A



View B

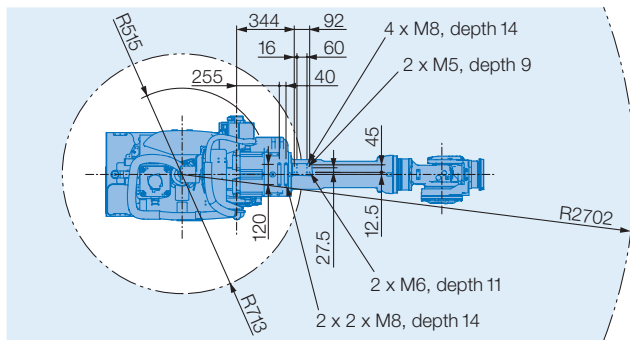


View C

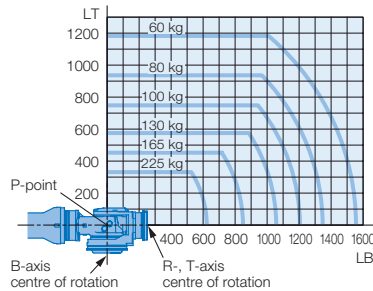


Mounting option: Floor

All dimensions in mm | Technical data may be subject to change without previous notice | Please request detailed drawings at robotics@yaskawa.eu.com - YR-MH00225-A00, C-05-2015, A-No. 167067



Allowable wrist load



Specifications MH225

| Axes | Maximum motion range [°] | Maximum speed [°/sec.] | Allowable moment [Nm] | Allowable moment of inertia [kg · m ²] | Controlled axes | |
|------|--------------------------|------------------------|-----------------------|--|-------------------|----------------------------|
| | | | | | Max. payload [kg] | Repeat. pos. accuracy [mm] |
| S | ±180 | 120 | - | - | 6 | ±0.2 |
| L | +76/-60 | 97 | - | - | 225 | R = 2702 |
| U | +90/-147 | 115 | - | - | 0 to +45 | 20 - 80 |
| R | ±360 | 145 | 1372 | 145 | 1000 | 5.0 |
| B | ±125 | 145 | 1372 | 145 | | |
| T | ±360 | 220 | 735 | 84 | | |

YASKAWA
robotics@yaskawa.eu.com
www.yaskawa.eu.com

YASKAWA Headquarters
YASKAWA Europe GmbH · Robotics Division
Yaskawastraße 1 · D-85391 Allershausen
Tel. +49 (0) 8166/90-0 · Fax +49 (0) 8166/90-103

YASKAWA academy and sales office Frankfurt
YASKAWA Europe GmbH · Robotics Division
Hauptstraße 185 · D-65760 Eschborn
Tel. +49 (0) 6196/77725-0 · Fax +49 (0) 6196/77725-39