

YASKAWA

MOTOMAN MH110

Handling & General Applications with the MH-series

The 6-axis MOTOMAN MH110 is a versatile, high speed robot offering superior performance for a variety of applications, for example material handling, machine and press tending. Despite of providing a wide motion range and high payload of 110 kg, the

MOTOMAN MH110 has a streamlined design, which allows extremely close positioning of several robots. Also the slim cable inlet reduces the robots width, therefore valuable floor space can be saved.

The MOTOMAN MH110 is available with the optional Category 3 Functional Safety Unit (FSU), which allows an establishment of 32 safety units and up to 16 tools.

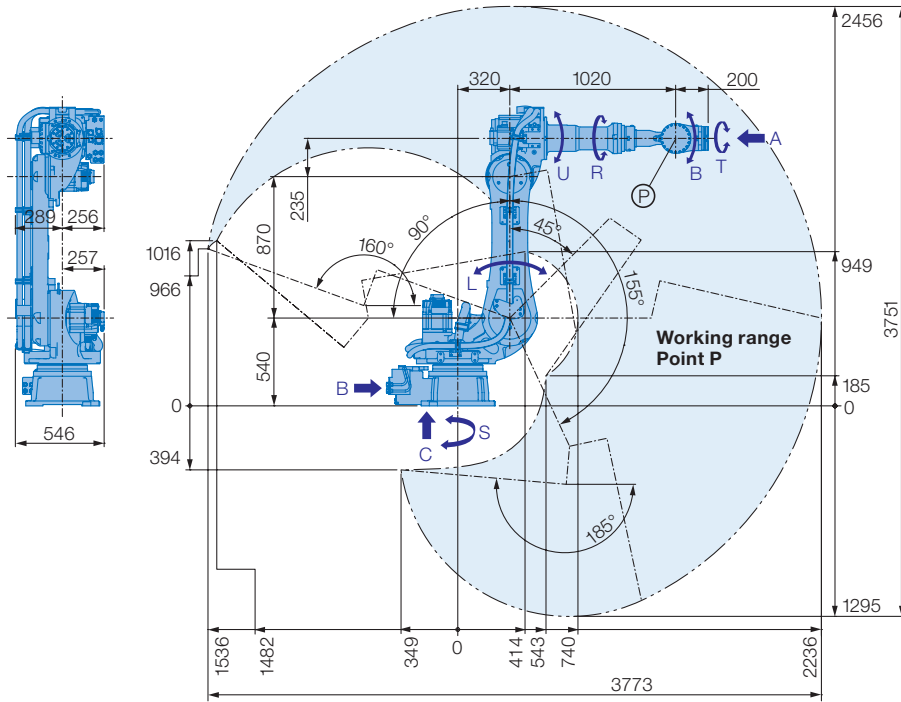


KEY BENEFITS

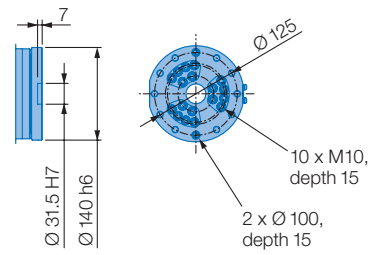
- Fast and flexible
- Wide motion range: 2236 mm
- High payload: 110 kg
- Compact design
- Slim cable inlet
- Enhanced safety functions

Controlled by
DX200

MOTOMAN MH110

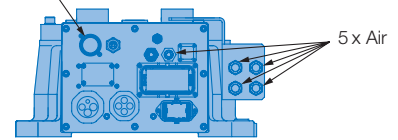


Ansicht A

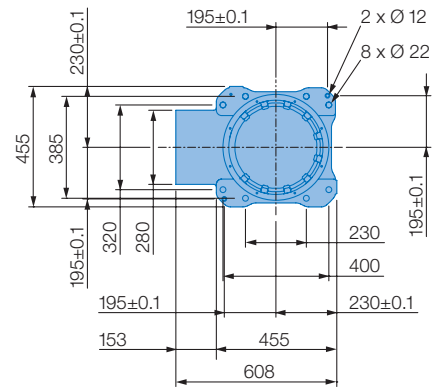


Ansicht B

Internal user wiring connector
Media connector

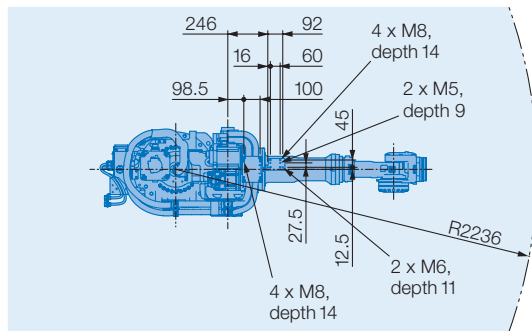


Ansicht C

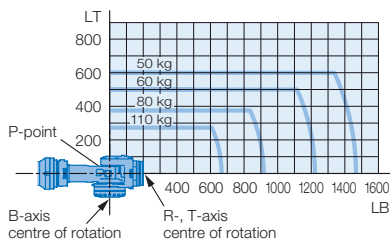


Mounting option: Floor

All dimensions in mm | Technical data may be subject to change without previous notice | Please request detailed drawings at robotics@yaskawa.eu.com – YR-MH00110-A00, B-05-2015, A-No. 167101



Allowable wrist load



Specifications MH110

Axes	Maximum motion range [°]	Maximum speed [°/sec.]	Allowable moment [Nm]	Allowable moment of inertia [kg · m ²]	Controlled axes	
					Max. payload [kg]	
S	±180	140	–	–	6	110
L	+155/-90	110	–	–	Repeat. pos. accuracy [mm]	±0.07
U	+160/-185	130	–	–	Max. working range [mm]	R = 2236
R	±360	175	721	60	Temperature [°C]	0 to +45
B	±125	175	721	60	Humidity [%]	20 – 80
T	±360	255	294	33.7	Weight [kg]	625
					Power supply, average [KVA]	5.0

YASKAWA

robotics@yaskawa.eu.com
www.yaskawa.eu.com

YASKAWA Headquarters

YASKAWA Europe GmbH · Robotics Division
Yaskawastraße 1 · D-85391 Allershausen
Tel. +49 (0) 8166/90-0 · Fax +49 (0) 8166/90-103

YASKAWA academy and sales office Frankfurt

YASKAWA Europe GmbH · Robotics Division
Hauptstraße 185 · D-65760 Eschborn
Tel. +49 (0) 6196/77725-0 · Fax +49 (0) 6196/77725-39