

# MOTOMAN GP110

Handling & General Applications  
with the GP-series



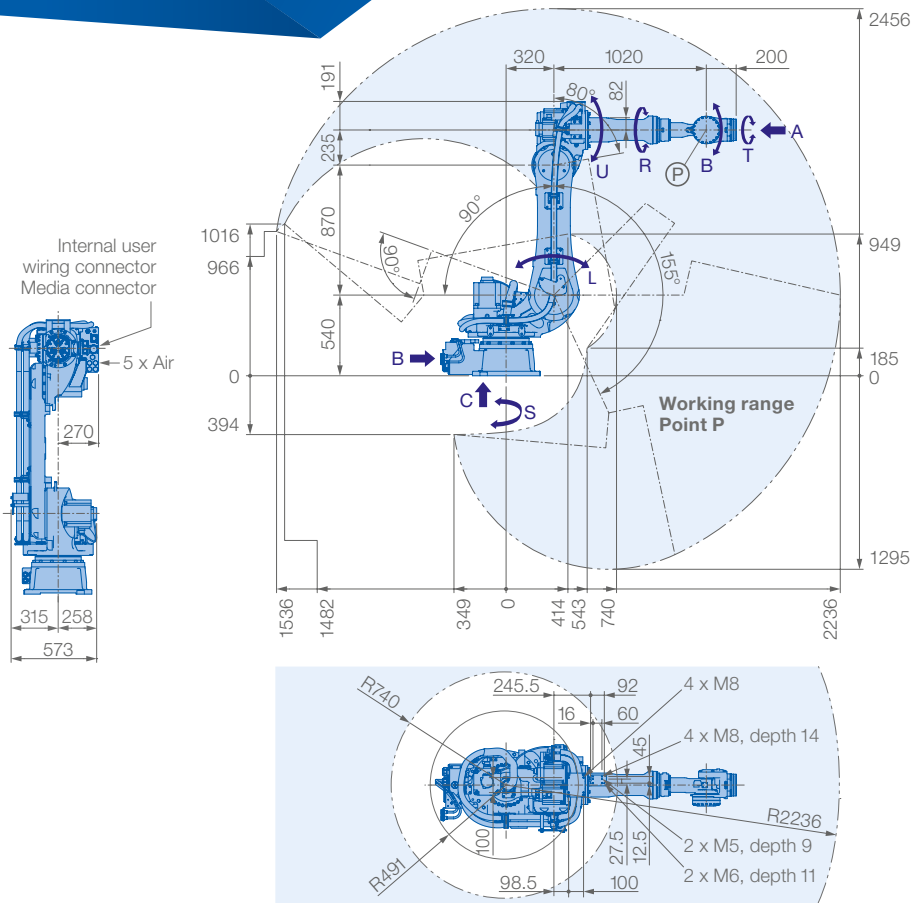
The 6-axis MOTOMAN GP110 is a versatile, high speed robot offering superior performance for a variety of applications, for example material handling, machine and press tending.

Despite of providing a wide motion range and high payload of 110 kg, the MOTOMAN GP110 has a streamlined design, which allows extremely close positioning of several robots. Also the slim cable inlet reduces the robots width, therefore valuable floor space can be saved.

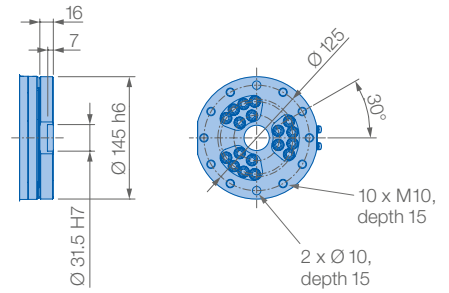
The MOTOMAN GP110 is available with the PLd Category 3 Functional Safety Unit (FSU).

## KEY BENEFITS

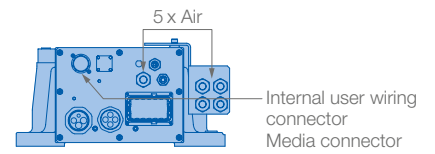
- Fast and flexible
- Wide motion range: 2236 mm
- High payload: 110 kg
- Compact design
- Slim cable inlet
- Enhanced safety functions



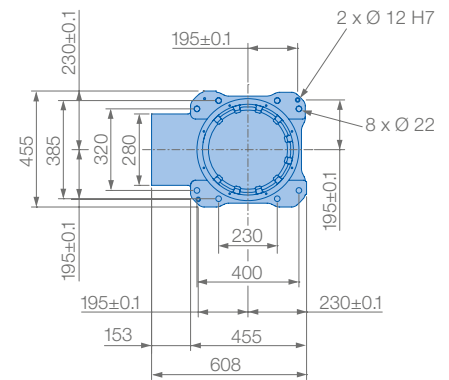
**View A**



**View B**

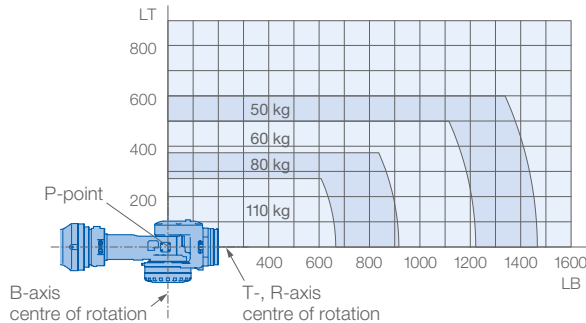


**View C**



Mounting options: Floor  
Protection class: IP54/67

**Allowable wrist load**



Specifications GP110						
Axes	Maximum motion range [°]	Maximum speed [°/sec.]	Allowable moment [Nm]	Allowable moment of inertia [kg · m <sup>2</sup> ]	Controlled axes	6
S	±180	140	–	–	Max. payload [kg]	110
L	+155/–90	110	–	–	Repeatability [mm]	±0.07
U	+90/–80	130	–	–	Max. working range R [mm]	2236
R	±360	175	721	60	Temperature [°C]	0 to +45
B	±125	175	721	60	Humidity [%]	20 – 80
T	±360	255	294	33.7	Weight [kg]	660
					Power supply, average [KVA]	5.0

**YASKAWA Europe GmbH**

Robotics Division  
Yaskawastraße 1  
85391 Allershausen  
Germany

Tel. +49 (0) 8166 90-0  
robotics@yaskawa.eu.com  
www.yaskawa.eu.com

YR-1-06VX110-A00  
B-08-2018, A-No. 195938

All dimensions in mm. Technical data may be subject to change without previous notice. Please request detailed drawings at robotics@yaskawa.eu.com.